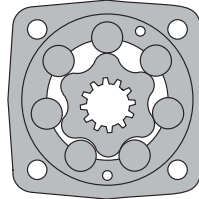


Planetenmotor EPMS®

Planetarymotor EPMS®



Anwendung

- Förderbänder
- Metallbearbeitungsmaschinen
- Werkzeugmaschinen
- Mobile Arbeitsmaschinen
- Baumaschinen
- Landmaschinen
- u.a.

Bauweise und Ausführungen

- Modell: Axialverteilterventil, Planetenrollersatz
- Flansch: SAE A, Magneto-, Quadrat- oder Radflansch
- Anschlüsse: Hinten oder seitlich, metrisches oder BSPP Gewinde
- Welle: Zylindrisch, konisch oder verzahnt
- Motor mit Trommelbremse
- Motor mit Tachowelle
- Drehzahlsensorik
- Sonderausführungen

Application

- Conveyors
- Metal working machines
- Machine tools
- Special vehicles
- Road buliding machines
- Agriculture machines
- etc.

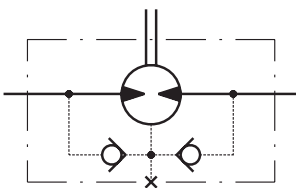
Construction and options

- Model: Disc valve, roll-gerotor
- Flange: SAE A, Magneto-, square- or wheelflange
- Ports: Rear or side ports, metric or BSPP threaded ports
- Shafts: Cylindrical, tapered or splined
- Motor with drum brake
- Motor with tacho connection
- Speed sensing
- Other special features

Übersicht Overview

Max. Schluckvolumen	Max. Displacement	cm ³ /U	ccm/rev	[in ³ /rev]	80,5 - 564,9 [4.91 - 34.47]
Max. Drehzahl	Max. Speed	U/min	RPM		1000
Max. Drehmoment	Max. Torque	daNm		[in-lb]	85 [7520]
Max. Leistungsabgabe	Max. Output	kW		[HP]	23 [30.8]
Max. Druckgefälle	Max. Pressure drop	bar		[PSI]	210 [3050]
Max. Ölstrom	Max. Oil flow	l/min	lpm	[GPM]	90 [24]
Min. Drehzahl	Min. Speed	U/min	RPM		5
Hydrauliköl	Pressure fluid				HLP (DIN 51524) oder or HM (ISO 6743/4)
Öltemperatur	Temperature range	°C		[°F]	-40 - 140 [-40 - 284]
Optimalviskosität	Optimal viscosity range	mm ² /s		[SUS]	20 - 75 [98 - 347]
Filterierung	Filtration				ISO Code 20/16 (min. empfohlene Filterierung recommended filtration 25 µm)

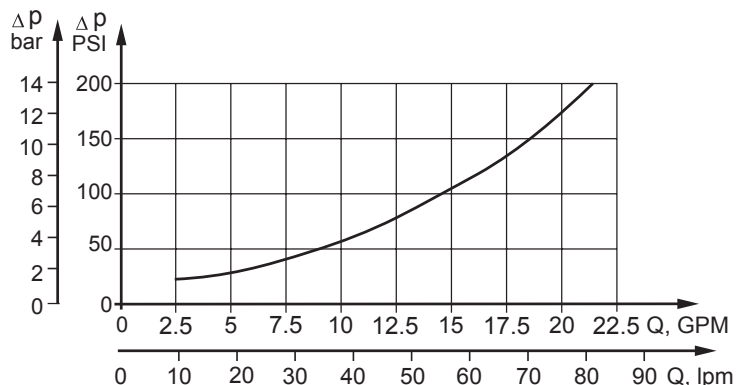
Schaltzeichen Graphic symbol



Ölstrom in der Leckölleitung Oil flow in drain line

Druckgefälle Pressure drop bar [PSI]	Viskosität Viscosity mm ² /s [SUS]	Ölstrom Oilflow l/min lpm [GPM]
140 [2030]	20 [98]	1,5 [.396]
	35 [164]	1,0 [.264]
210 [3045]	20 [98]	3,0 [.793]
	35 [164]	2,0 [.528]

Druckverlust Pressure losses



Technische Daten *Technical datas*

Typ <i>Type</i>		EPMS 80	EPMS 100	EPMS 125	EPMS 160	EPMS 200
Schluckvolumen <i>Displacement cm³/U ccm/rev [in³/rev]</i>		80,5 [4.91]	100,0 [6.10]	125,7 [7.67]	159,7 [9.74]	200,0 [12.20]
Max. Drehzahl <i>Max. Speed</i> U/min <i>RPM</i>	Dauerbetrieb <i>Continuous working</i>	810	750	600	470	375
	Intermittierend* <i>Intermittent *</i>	1000	900	720	560	450
Max. Drehmoment <i>Max. Torque</i> daNm [lb-in]	Dauerbetrieb <i>Continuous working</i>	24,0 [2120]	30,5 [2700]	37,5 [3320]	49,0 [4340]	61,0 [5400]
	Intermittierend* <i>Intermittent *</i>	31,0 [2740]	39,0 [3450]	49,0 [4380]	60,0 [5310]	72,0 [6370]
Max. Leistungsabgabe <i>Max. Output</i> kW [HP]	Dauerbetrieb <i>Continuous working</i>	15,5 [20.8]	18,0 [24.1]	18,0 [24.1]	16,5 [22.1]	16,5 [22.1]
	Intermittierend* <i>Intermittent *</i>	19,5 [26.2]	22,8 [30.2]	22,5 [30.2]	23,0 [30.8]	22,0 [29.5]
Max. Druckgefälle <i>Max. Pressure drop</i> bar [PSI]	Dauerbetrieb <i>Continuous working</i>	210 [3050]	210 [3050]	210 [3050]	210 [3050]	210 [3050]
	Intermittierend* <i>Intermittent *</i>	275 [3990]	275 [3990]	275 [3990]	275 [3990]	275 [3990]
	Spitze ** <i>Peak **</i>	295 [4280]	295 [4280]	295 [4280]	295 [4280]	295 [4280]
Max. Ölstrom <i>Max. Oil flow</i> l/min <i>lpm</i> [GPM]	Dauerbetrieb <i>Continuous working</i>	65 [17]	75 [20]	75 [20]	75 [20]	75 [20]
	Intermittierend* <i>Intermittent *</i>	80 [21]	90 [24]	90 [24]	90 [24]	90 [24]
Max. Eingangsdruck <i>Max. Inlet pressure</i> bar [PSI]	Dauerbetrieb <i>Continuous working</i>	230 [3340]	230 [3340]	230 [3340]	230 [3340]	230 [3340]
	Intermittierend* <i>Intermittent *</i>	295 [4280]	295 [4280]	295 [4280]	295 [4280]	295 [4280]
	Spitze ** <i>Peak **</i>	300 [4350]	300 [4350]	300 [4350]	300 [4350]	300 [4350]
Max. Rücklaufdruck mit Leckölleitung <i>Max. Return pressure with drain line</i> bar [PSI]	Dauerbetrieb <i>Continuous working</i>	140 [2030]	140 [2030]	140 [2030]	140 [2030]	140 [2030]
	Intermittierend* <i>Intermittent *</i>	175 [2540]	175 [2540]	175 [2540]	175 [2540]	175 [2540]
	Spitze ** <i>Peak **</i>	210 [3050]	210 [3050]	210 [3050]	210 [3050]	210 [3050]
Max. Anlaufdruck mit unbelasteter Welle <i>Max. starting pressure with unloaded shaft</i>	bar [PSI]	12 [175]	10 [145]	10 [145]	8 [115]	8 [115]
Min. Anlaufmoment bei max. Druckgefälle <i>Min. starting torque at max. pressure</i> drop daNm [lb-in]	Dauerbetrieb <i>Continuous working</i>	18,0 [1590]	23,0 [2040]	29,0 [2570]	37,0 [3270]	47,0 [4160]
	Intermittierend* <i>Intermittent *</i>	23,5 [2080]	30,0 [2660]	38,0 [3360]	46,0 [4070]	56,0 [4960]
Min. Drehzahl *** <i>Min speed ***</i>	U/min <i>RPM</i>	10	10	8	8	6
Gewicht <i>Weight</i> kg [lb]	EPMS (F)	9,9 [21.8]	10,1 [22.2]	10,4 [22.9]	10,8 [23.8]	11,2 [24.7]
	EPMS-W	10,4 [22.9]	10,6 [23.3]	10,9 [24.0]	11,3 [24.6]	11,7 [25.8]
	EPMS-S	7,9 [17.4]	8,1 [17.8]	8,4 [18.5]	8,8 [19.4]	9,2 [20.2]
Für Hintenanschluss <i>For rear ports</i> +0,40 [88]	EPMS-V / EPMS-U	5,8 [12.8]	6,0 [13.2]	6,3 [13.9]	6,7 [14.8]	7,1 [15.6]
	EPMS-Q	10,3 [22.7]	10,5 [23.2]	10,8 [23.2]	11,2 [24.7]	11,6 [25.6]
	EPMS-B	16,9 [37.3]	17,1 [37.7]	17,4 [38.3]	17,8 [39.2]	18,2 [41.1]

* Intermittierend: Betrieb max. 10% pro Minute

** Spitze: max. 1% pro Minute

*** Für Drehzahlen kleiner der min. Drehzahl sprechen Sie uns bitte an.

- Intermittierende Druckgefälle und Ölströme dürfen nicht gleichzeitig erreicht werden.

- Minimale Viskosität 13 mm²/s [70 SUS] bei 50° C [122° F]

- Maximale Öltemperatur während des Betriebs 82° C [180° F]

- Die Lebensdauer der Motoren kann erhöht werden, wenn die Antriebswelle 10-15 Minuten vor voller Belastung frei läuft.

* Intermittent: Working max. 10% per minute

** Peak: max. 1% per minute

*** For speeds lower than given, please consult us.

- Intermittent speed and pressure should not occur simultaneously.

- Recommended minimum oil viscosity 13 mm²/s [70 SUS] at 50° C [122° F]

- Recommended maximum system operating temperature is 82° C [180° F]

- To assure optimum motor life fill with fluid prior to loading and run at moderate load and speed for 10-15 minutes.

Technische Daten *Technical datas*

Typ <i>Type</i>	EPMS 250	EPMS 315	EPMS 400	EPMS 475	EPMS 525	EPMS 565	
Schluckvolumen <i>Displacement cm³/U ccm/rev [in³/rev]</i>	250,0 [15.30]	314,9 [19.20]	397,0 [24.20]	474,6 [28.96]	522,7 [31.88]	564,9 [34.47]	
Max. Drehzahl <i>Max. Speed U/min RPM</i>	Dauerbetrieb <i>Continuous working</i>	300	240	190	160	145	130
	Intermittierend* <i>Intermittent *</i>	360	290	230	190	175	160
Max. Drehmoment <i>Max. Torque daNm [lb-in]</i>	Dauerbetrieb <i>Continuous working</i>	72,0 [6370]	82,5 [7300]	86,5 [7660]	85,0 [7520]	85,0 [7520]	85,0 [7520]
	Intermittierend* <i>Intermittent *</i>	87,0 [7700]	100,0 [8850]	99,0 [8760]	99,0 [8760]	99,0 [8760]	99,0 [8760]
Max. Leistungsabgabe <i>Max. Output kW [HP]</i>	Dauerbetrieb <i>Continuous working</i>	14,5 [19.4]	15,0 [20.1]	11,0 [14.8]	8,4 [11.0]	7,6 [10.2]	6,9 [9.0]
	Intermittierend* <i>Intermittent *</i>	18,0 [24.1]	17,0 [22.8]	12,5 [16.8]	11,3 [15.0]	10,4 [13.9]	9,6 [13.0]
Max. Druckgefälle <i>Max. Pressure drop bar [PSI]</i>	Dauerbetrieb <i>Continuous working</i>	200 [2900]	200 [2900]	160 [2320]	130 [1880]	115 [1670]	105 [1520]
	Intermittierend* <i>Intermittent *</i>	250 [3630]	240 [3480]	190 [2760]	150 [2180]	135 [1960]	125 [1810]
	Spitze ** <i>Peak **</i>	270 [3920]	260 [3770]	210 [3050]	170 [2470]	155 [2250]	145 [2100]
Max. Ölstrom <i>Max. Oil flow l/min lpm [GPM]</i>	Dauerbetrieb <i>Continuous working</i>	75 [20]	75 [20]	75 [20]	75 [20]	75 [20]	75 [20]
	Intermittierend* <i>Intermittent *</i>	90 [24]	90 [24]	90 [24]	90 [24]	90 [24]	90 [24]
Max. Eingangsdruck <i>Max. Inlet pressure bar [PSI]</i>	Dauerbetrieb <i>Continuous working</i>	230 [3340]	230 [3340]	230 [3340]	230 [3340]	230 [3340]	230 [3340]
	Intermittierend* <i>Intermittent *</i>	295 [4280]	295 [4280]	295 [4280]	295 [4280]	295 [4280]	295 [4280]
	Spitze ** <i>Peak **</i>	300 [4350]	300 [4350]	300 [4350]	300 [4350]	300 [4350]	300 [4350]
Max. Rücklaufdruck mit Leckölleitung <i>Max. Return pressure with drain line bar [PSI]</i>	Dauerbetrieb <i>Continuous working</i>	140 [2030]	140 [2030]	140 [2030]	140 [2030]	140 [2030]	140 [2030]
	Intermittierend* <i>Intermittent *</i>	175 [2540]	175 [2540]	175 [2540]	175 [2540]	175 [2540]	175 [2540]
	Spitze ** <i>Peak **</i>	210 [3050]	210 [3050]	210 [3050]	210 [3050]	210 [3050]	210 [3050]
Max. Anlaufdruck mit unbelasteter Welle <i>Max. starting pressure with unloaded shaft bar [PSI]</i>	8 [115]	8 [115]	8 [115]	8 [115]	8 [115]	8 [115]	
Min. Anlaufmoment bei max. Druckgefälle <i>Min. starting torque at max. pressure drop daNm [lb-in]</i>	Dauerbetrieb <i>Continuous working</i>	56,0 [4960]	71,0 [6280]	71,0 [6280]	71,0 [6280]	71,0 [6280]	71,0 [6280]
	Intermittierend* <i>Intermittent *</i>	70,0 [6200]	85,0 [7520]	84,0 [7430]	84,0 [7430]	84,0 [7430]	84,0 [7430]
Min. Drehzahl *** <i>Min speed *** U/min RPM</i>	6	5	5	5	5	5	
Gewicht <i>Weight kg [lb]</i>	EPMS (F)	11,7 [25.8]	12,4 [27.3]	13,1 [29.3]	14,1 [31.0]	14,6 [32.2]	15,0 [33.1]
	EPMS-W	12,2 [26.9]	12,9 [28.4]	13,8 [30.4]	14,6 [32.2]	15,1 [33.3]	15,5 [34.1]
	EPMS-S	9,7 [21.4]	10,4 [22.9]	11,3 [24.9]	12,1 [26.7]	12,6 [27.8]	13,0 [28.6]
Für Hintenanschluss <i>For rear ports +0,40 [.88]</i>	EPMS-V / EPMS-U	7,6 [16.7]	8,3 [18.3]	9,2 [20.2]	10,0 [22.0]	10,5 [23.1]	10,9 [24.0]
	EPMS-Q	12,1 [26.7]	12,8 [28.2]	13,7 [30.2]	14,5 [32.0]	15,0 [33.1]	15,4 [33.9]
	EPMS-B	18,7 [41.2]	19,4 [42.7]	20,3 [44.7]	21,1 [46.5]	21,6 [47.6]	23,0 [48.5]

* Intermittierend: Betrieb max. 10% pro Minute

** Spitze: max. 1% pro Minute

*** Für Drehzahlen kleiner der min. Drehzahl sprechen Sie uns bitte an.

- Intermittierende Druckgefälle und Ölströme dürfen nicht gleichzeitig erreicht werden.

- Minimale Viskosität 13 mm²/s [70 SUS] bei 50° C [122° F]

- Maximale Öltemperatur während des Betriebs 82° C [180° F]

- Die Lebensdauer der Motoren kann erhöht werden, wenn die Antriebswelle 10-15 Minuten vor voller Belastung frei läuft.

* Intermittent: Working max. 10% per minute

** Peak: max. 1% per minute

*** For speeds lower than given, please consult us.

- Intermittent speed and pressure should not occur simultaneously.

- Recommended minimum oil viscosity 13 mm²/s [70 SUS] at 50° C [122° F]

- Recommended maximum system operating temperature is 82° C [180° F]

- To assure optimum motor life fill with fluid prior to loading and run at moderate load and speed for 10-15 minutes.

Bestellcode EPMS® Ordercode EPMS®

EPMS	1	2	3	4	5	6	7	8
------	---	---	---	---	---	---	---	---

Pos. 1	Montageflansch <i>Mounting flange</i>
frei omit	SAE A-4, vier Befestigungslöcher <i>SAE A-4, four holes</i>
A	SAE A-2, zwei Befestigungslöcher <i>SAE A-2, two holes</i>
F	Magnetoflansch, vier Befestigungslöcher <i>Magnetoflange, four holes</i>
Q	Quadratflansch, vier Befestigungslöcher <i>Square flange, four holes</i>
B	Motor mit Trommelbremse <i>Motor with drum brake</i>
S	Kurzeinbau <i>Short mount</i>
V	Sehr kurzer Einbau <i>Very short mount</i>
U	Ultra kurzer Einbau <i>Ultra short mount</i>
W	Radflansch <i>Wheel flange</i>
Pos. 2	Anschlussstyp <i>Port type</i>
frei omit	Seitenanschluss <i>Side ports</i>
E	Hintenanschluss <i>Rear ports</i>
Pos. 3	Schluckvolumen <i>Displacement</i>
80	80,5 cm ³ /U <i>ccm/rev</i> [4.91 in ³ /rev]
100	100,0 cm ³ /U <i>ccm/rev</i> [6.10 in ³ /rev]
125	125,7 cm ³ /U <i>ccm/rev</i> [7.67 in ³ /rev]
160	159,7 cm ³ /U <i>ccm/rev</i> [9.74 in ³ /rev]
200	200,0 cm ³ /U <i>ccm/rev</i> [12.20 in ³ /rev]
250	250,0 cm ³ /U <i>ccm/rev</i> [15.30 in ³ /rev]
315	314,9 cm ³ /U <i>ccm/rev</i> [19.20 in ³ /rev]
400	397,0 cm ³ /U <i>ccm/rev</i> [24.20 in ³ /rev]
475	474,6 cm ³ /U <i>ccm/rev</i> [28.96 in ³ /rev]
525	522,7 cm ³ /U <i>ccm/rev</i> [31.88 in ³ /rev]
565	564,9 cm ³ /U <i>ccm/rev</i> [34.47 in ³ /rev]

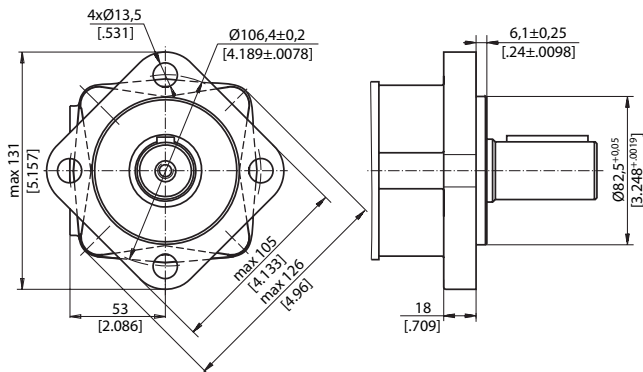
Pos. 4	Abtriebswelle * <i>Shaft *</i>
frei omit	Für B, S, U und V Flansch <i>For B, S, U and V flange</i>
C	Zylindrisch Ø32, Passfeder A10x8x45 DIN 6885 <i>Cylindrical Ø32, parallel key A10x8x45 DIN 6885</i>
CO	Zylindrisch Ø1 1/4", Passfeder 5/16" x 5/16" x 1 1/4" BS46 <i>Cylindrical Ø1 1/4", parallel key 5/16" x 5/16" x 1 1/4" BS46</i>
K	Konisch 1:10 Ø35, Passfeder B6x6x20 DIN 6885 <i>Tapered 1:10 Ø35, parallel key B6x6x20 DIN 6885</i>
SL	Zapfwelle Ø34,85, DIN 9611 Form 1 <i>P.T.O.-shaft Ø34,85, DIN 9611 Form 1</i>
SH	Verzahnt Ø1 1/4", 14 Zähne ANS B92.1-1970 <i>Splined Ø1 1/4", 14T ANS B92.1-1970</i>
SA	Verzahnt Ø7/8", 13 Zähne ANS B92.1-1970 <i>Splined Ø7/8", 13T ANS B92.1-1970</i>
Pos. 5	Anschlüsse <i>Ports</i>
frei omit	BSPP (ISO 228)
M	Metrisch <i>metric</i> (ISO 262)
Pos. 6	Lage des Bremshebels ** <i>Actuating direction **</i>
/R	Rechts <i>Right</i>
/L	Links <i>Left</i>
Pos. 7	Sonderausführungen <i>Special features</i>
RS	Drehzahlsensor <i>Speed sensor</i>
T	Tachowelle <i>Tacho connection</i>
LL	Geringeres Lecköl <i>Low Leakage</i>
LSV	Ventil für geringe Drehzahlen <i>Low speed valve</i>
R	Drehrichtung umgedreht <i>Reverse rotation</i>
P	Lackiert (Farbe auf Anfrage) <i>Paint (Colour on request)</i>
PC	Korrosionsschutzfarbe (Farbe auf Anfrage) <i>Corrosion protected paint (Colour on request)</i>
Pos. 8	Design Serie <i>Design series</i>
frei omit	Betriebsspezifisch <i>Factory specified</i>

* Zulässige Momentabgabe darf nicht überschritten werden
Permissible output torque should not be exceeded

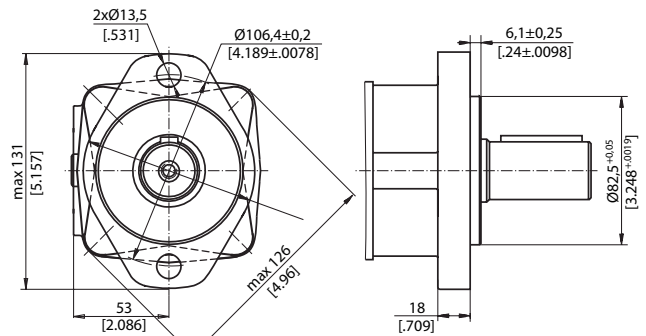
** Nur für EPMS-B
Only for EPMS-B

Pos. 1 Montageflansch *Mounting flange*

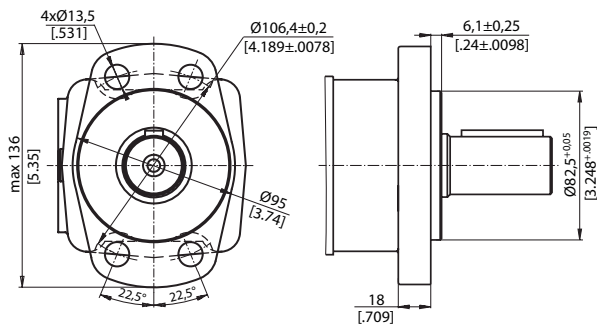
Standard: SAE A-4, vier Befestigungslöcher
Standard: SAE A-4, four holes



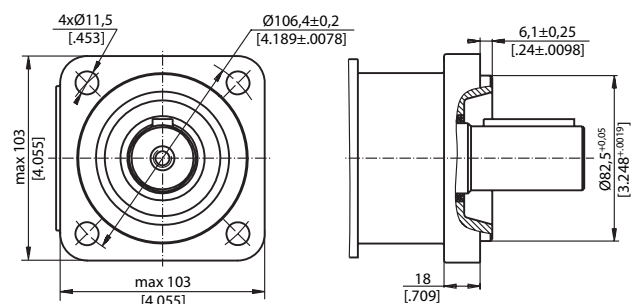
Option A: SAE A-2, zwei Befestigungslöcher
Option A: SAE A-2, two holes



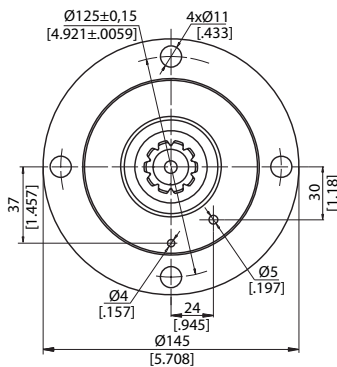
Option F: Magnetflansch, vier Befestigungslöcher
Option F: Magnetflange, four holes



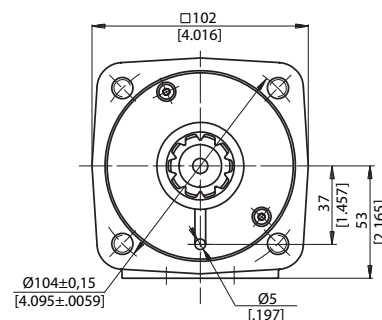
Option Q: Quadratflansch, vier Gewindebohrungen
Option Q: Square mount, four bolts



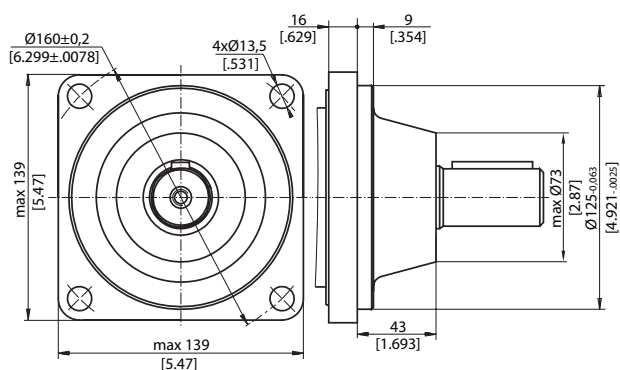
Option S: Kurzeinbau
Option S: Short mount



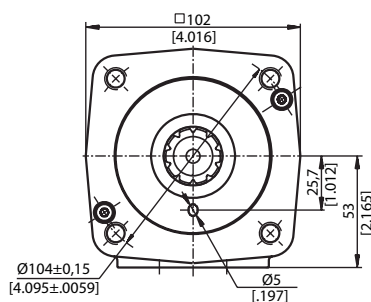
Option V: Sehr kurzer Einbau
Option V: Very short mount



Option W: Radflansch
Option W: Wheel flange

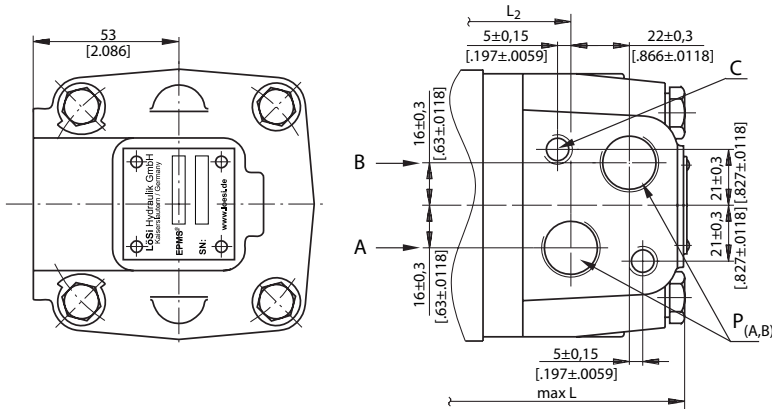


Option U: Ultra kurzer Einbau
Option U: Ultra short mount



Pos. 2 Anschlussstyp Port type

Standard: Seitenanschluss
Standard: Side ports

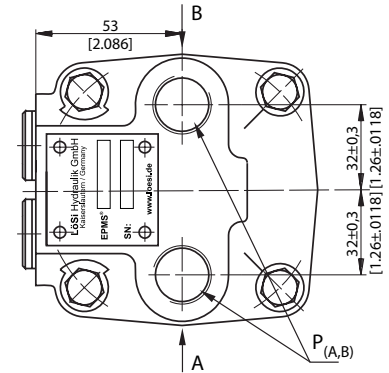


C: 2xM10 - 12mm [.47 in] tief deep
 P (A,B): 2xG1/2 oder 2xM22x1,5 - 15mm [.59 in] tief deep
 T: G1/4 oder M14x1,5 - 12 mm [.47 in] tief deep

Standarddrehung
 mit Blick auf Abtriebswelle
 Druck auf Anschluss **A** - rechtsdrehend
 Druck auf Anschluss **B** - linksdrehend

Reversierdrehung (Pos. 7 - Option R)
 mit Blick auf Abtriebswelle
 Druck auf Anschluss **A** - linksdrehend
 Druck auf Anschluss **B** - rechtsdrehend

Option E: Hintenanschluss
Option E: Rear ports

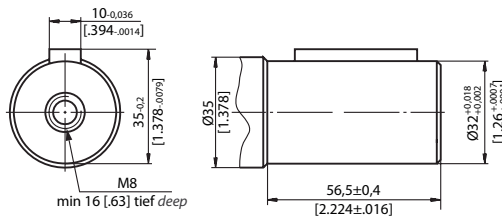


Standard rotation
 Viewed from shaft end
 Port **A** pressurized- right running
 Port **B** pressurized- left running

Reversierdrehung (Pos. 7 - Option R)
 Viewed from shaft end
 Port **A** pressurized- left running
 Port **B** pressurized- right running

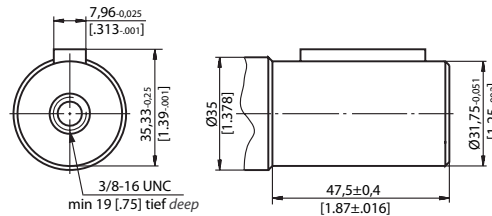
Pos. 4 Abtriebswelle Shaft

Option C: Zylindrisch Ø32 mm
Option C: Cylindrical Ø32 mm



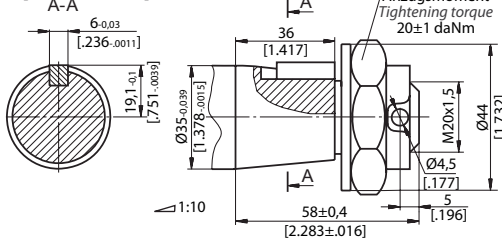
Max. Drehmomentabgabe 77 daNm [6815 lb-in]
 Max. Torque 77 daNm [6815 lb-in]

Option CO: Zylindrisch Ø1 1/4"
Option CO: Cylindrical Ø1 1/4"



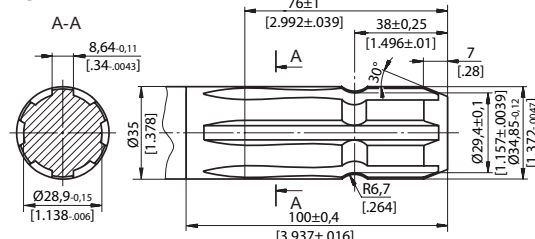
Max. Drehmomentabgabe 77 daNm [6815 lb-in]
 Max. Torque 77 daNm [6815 lb-in]

Option K: Konisch 1:10
Option K: Tapered 1:10



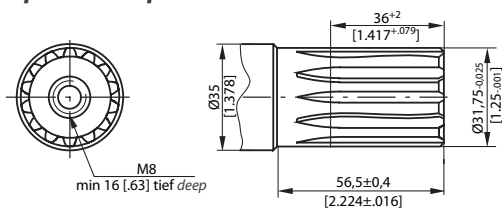
Max. Drehmomentabgabe 95 daNm [8400 lb-in]
 Max. Torque 95 daNm [8400 lb-in]

Option SL: Zapfwelle DIN 9611 Form 1
Option SL: P.T.O. shaft DIN 9611 Form 1



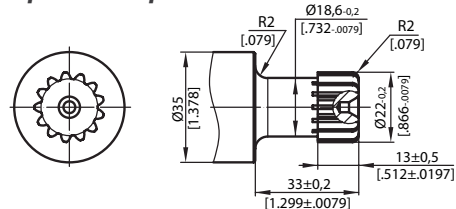
Max. Drehmomentabgabe 77 daNm [6815 lb-in]
 Max. Torque 77 daNm [6815 lb-in]

Option SH: Verzahnt 14 Zähne ANS B92.1-1970
Option SH: Splined 14T ANS B92.1-1970



Max. Drehmomentabgabe 95 daNm [8400 lb-in]
 Max. Torque 95 daNm [8400 lb-in]

Option SA: Verzahnt 13 Zähne ANS B92.1-1970
Option SA: Splined 13T ANS B92.1-1970



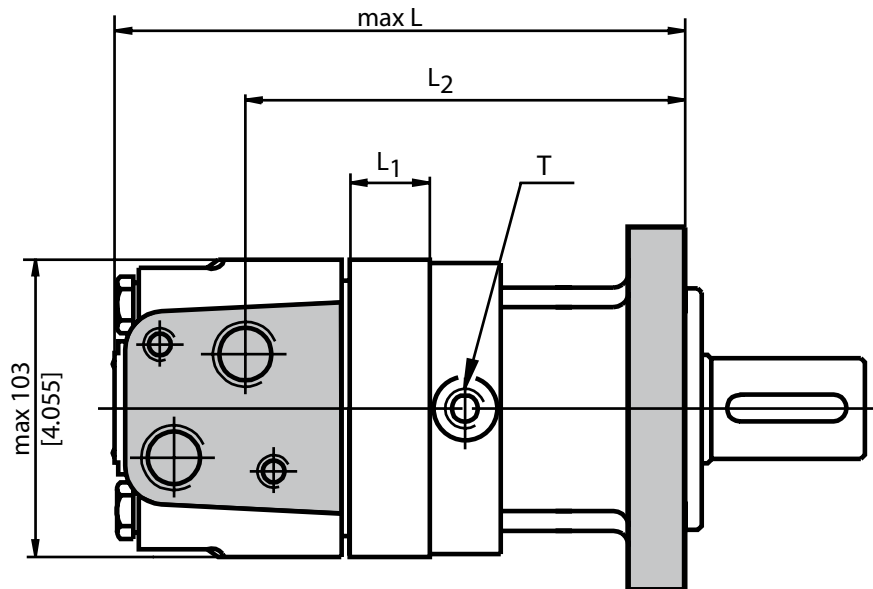
Max. Drehmomentabgabe 20 daNm [1770 lb-in]
 Max. Torque 20 daNm [1770 lb-in]



Pos. 3 Schluckvolumen *Displacement*

Einbaumaße EPMS mm [in.]

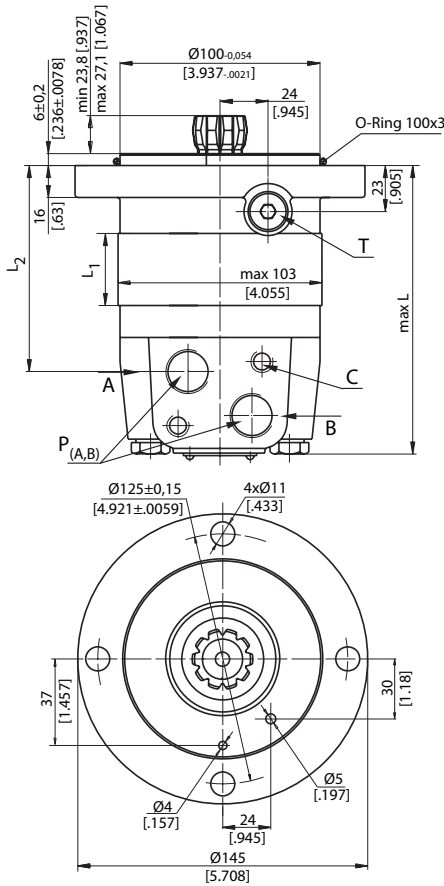
Dimensions EPMS mm [in.]



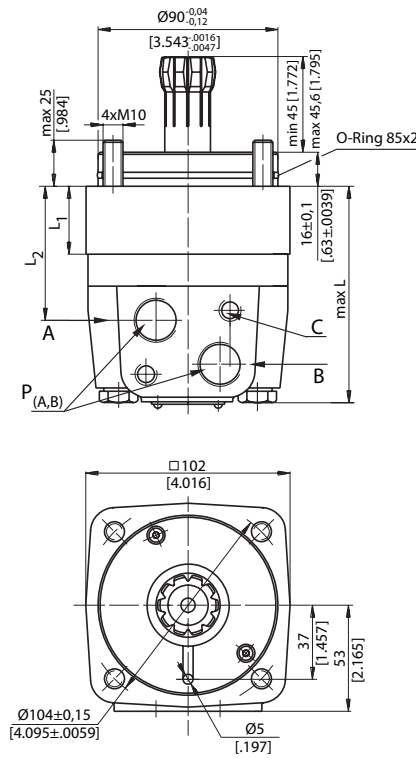
Typ Type	L mm [in]	L ₂ mm [in]	Typ Type	L mm [in]	L ₂ mm [in]	Typ Type	L mm [in]	L ₂ mm [in]	L ₁ mm [in]
EPMS (F) (A) 80	168,0 [6.61]	124,0 [4.88]	EPMS-W 80	129,0 [5.08]	87,0 [3.43]	EPMS-Q 80	179,0 [7.05]	136,0 [5.35]	14,0 [.55]
EPMS (F) (A) 100	171,0 [6.73]	128,0 [5.04]	EPMS-W 100	133,0 [5.23]	91,0 [3.58]	EPMS-Q 100	183,0 [7.21]	140,0 [5.51]	17,4 [.69]
EPMS (F) (A) 125	176,0 [6.93]	132,0 [5.20]	EPMS-W 125	137,0 [5.39]	95,0 [3.74]	EPMS-Q 125	187,0 [7.36]	144,0 [5.67]	21,8 [.86]
EPMS (F) (A) 160	182,0 [7.17]	138,0 [5.43]	EPMS-W 160	143,0 [5.63]	101,0 [3.98]	EPMS-Q 160	193,0 [7.60]	150,0 [5.91]	27,8 [1.09]
EPMS (F) (A) 200	189,0 [7.44]	145,0 [5.71]	EPMS-W 200	150,0 [5.91]	108,0 [4.25]	EPMS-Q 200	200,0 [7.87]	157,0 [6.18]	34,8 [1.37]
EPMS (F) (A) 250	197,0 [7.76]	154,0 [6.06]	EPMS-W 250	159,0 [6.26]	117,0 [4.61]	EPMS-Q 250	209,0 [8.23]	166,0 [6.54]	43,5 [1.71]
EPMS (F) (A) 315	209,0 [8.23]	165,0 [6.50]	EPMS-W 315	170,0 [6.69]	128,0 [5.04]	EPMS-Q 315	220,0 [8.66]	177,0 [6.67]	54,8 [2.16]
EPMS (F) (A) 400	223,0 [8.78]	179,0 [7.05]	EPMS-W 400	184,0 [7.24]	143,0 [5.63]	EPMS-Q 400	235,0 [9.25]	192,0 [7.56]	69,4 [2.73]
EPMS (F) (A) 475	237,0 [9.33]	193,0 [7.60]	EPMS-W 475	198,0 [7.79]	156,0 [6.14]	EPMS-Q 475	247,0 [9.72]	205,0 [8.07]	82,6 [3.25]
EPMS (F) (A) 525	229,0 [9.02]	185,0 [7.28]	EPMS-W 525	190,0 [7.48]	148,0 [5.83]	EPMS-Q 525	240,0 [9.45]	197,0 [7.76]	74,5 [2.93]
EPMS (F) (A) 565	235,0 [9.25]	191,0 [7.52]	EPMS-W 565	196,0 [7.72]	154,0 [6.06]	EPMS-Q 565	246,0 [9.69]	203,0 [7.99]	80,2 [3.16]

Für Hintenanschluss L + 6 mm [.24 in]
For rear ports L + 6 mm [.24 in]

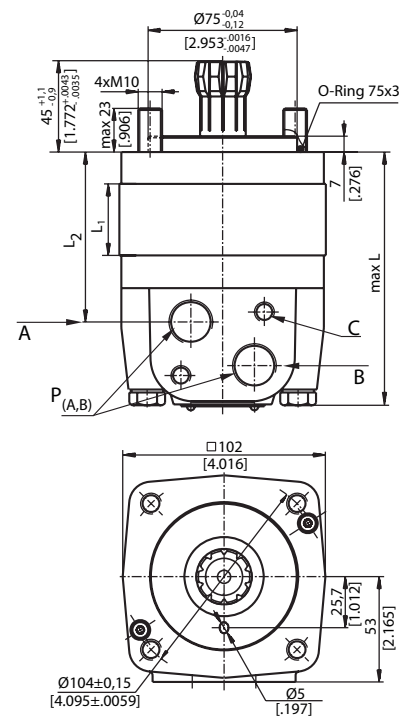
Einbaumaße EPMS-S mm [in.]
Dimensions EPMS-S mm [in.]



Einbaumaße EPMS-V mm [in.]
Dimensions EPMS-V mm [in.]



Einbaumaße EPMS-U mm [in.]
Dimensions EPMS-U mm [in.]



- C: 2xM10 - 12mm [.47 in] tief deep
P (A,B): 2xG1/2 oder or 2xM22x1,5 - 15mm [.59 in] tief deep
T: G1/4 oder or M14x1,5 - 12 mm [.47 in] tief deep

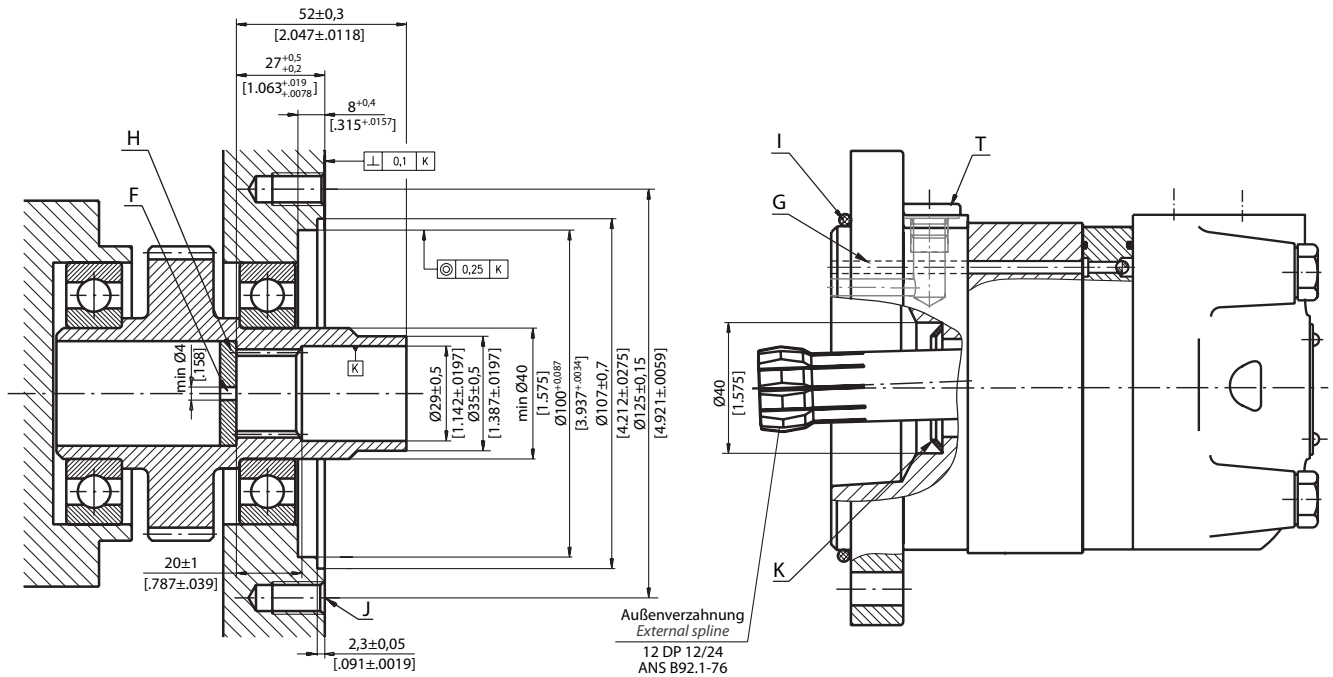


Typ Type	L* mm [in]	L2 mm [in]	Typ Type	L** mm [in]	L2 mm [in]	Typ Type	L** mm [in]	L2 mm [in]	L1 mm [in]
EPMS-S 80	125,0 [4.92]	83,0 [3.27]	EPMS-V 80	91,0 [3.58]	47,0 [1.85]	EPMS-U 80	105,5 [4.15]	63,0 [2.48]	14,0 [.55]
EPMS-S 100	129,0 [5.08]	87,0 [3.43]	EPMS-V 100	94,0 [3.70]	50,5 [1.99]	EPMS-U 100	109,0 [4.29]	66,5 [2.62]	17,4 [.69]
EPMS-S 125	133,0 [5.24]	90,0 [3.54]	EPMS-V 125	99,0 [3.90]	55,0 [2.17]	EPMS-U 125	113,0 [4.45]	71,0 [2.80]	21,8 [.86]
EPMS-S 160	139,0 [5.47]	96,0 [3.78]	EPMS-V 160	105,0 [4.13]	61,0 [2.40]	EPMS-U 160	119,0 [4.69]	77,0 [3.03]	27,8 [1.09]
EPMS-S 200	146,0 [5.75]	103,0 [4.05]	EPMS-V 200	112,0 [4.41]	68,0 [2.78]	EPMS-U 200	126,0 [4.96]	84,0 [3.31]	34,8 [1.37]
EPMS-S 250	155,0 [6.10]	112,0 [4.41]	EPMS-V 250	120,0 [4.72]	76,5 [3.01]	EPMS-U 250	135,0 [5.32]	92,5 [3.64]	43,5 [1.71]
EPMS-S 315	166,0 [6.54]	123,0 [4.84]	EPMS-V 315	132,0 [5.20]	88,0 [3.46]	EPMS-U 315	146,0 [5.75]	104,0 [4.09]	54,8 [2.16]
EPMS-S 400	181,0 [7.13]	138,0 [5.43]	EPMS-V 400	146,0 [5.75]	103,0 [4.05]	EPMS-U 400	160,0 [6.30]	119,0 [4.69]	69,4 [2.73]
EPMS-S 475	194,0 [7.64]	152,0 [5.98]	EPMS-V 475	160,0 [6.30]	116,0 [4.57]	EPMS-U 475	174,0 [6.85]	132,0 [5.20]	82,6 [3.25]
EPMS-S 525	186,0 [7.32]	144,0 [5.67]	EPMS-V 525	152,0 [5.98]	108,0 [4.25]	EPMS-U 525	166,0 [6.54]	124,0 [4.88]	74,5 [2.93]
EPMS-S 565	192,0 [7.56]	150,0 [5.91]	EPMS-V 565	158,0 [6.22]	114,0 [4.49]	EPMS-U 565	172,0 [6.77]	130,0 [5.12]	80,2 [3.16]

* Für Hintenanschluss L + 8 mm [.31 in]
* For rear ports L + 8 mm [.31 in]

** Für Hintenanschluss L + 6 mm [.24 in]
** For rear ports L + 6 mm [.24 in]

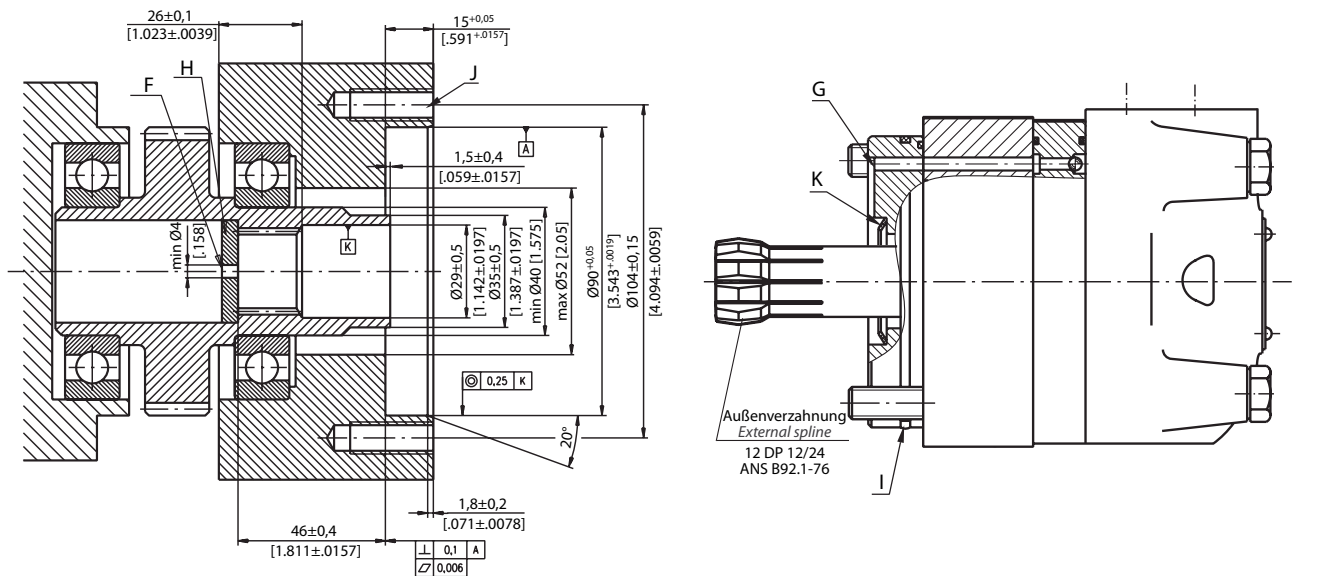
Einbaumaße EPMS-S mm [in.]
Dimensions EPMS-S mm [in.]



- F: Ölzirkulationsloch
Oil circulation hole
- H: Gehärtete Anschlagplatte
Hardened stop plate
- J: 4xM10 - 16 mm [63 in] tief *deep*, 90°

- G: Innerer Leckölkanal
Internal drain channel
- I: O-Ring 100x3
[3.94 x .12 in]
- K: Konischer Dichttring
Conical seal ring
- T: Leckölanschluss G1/4 oder M14x1,5
Drain connection G1/4 or M14x1,5

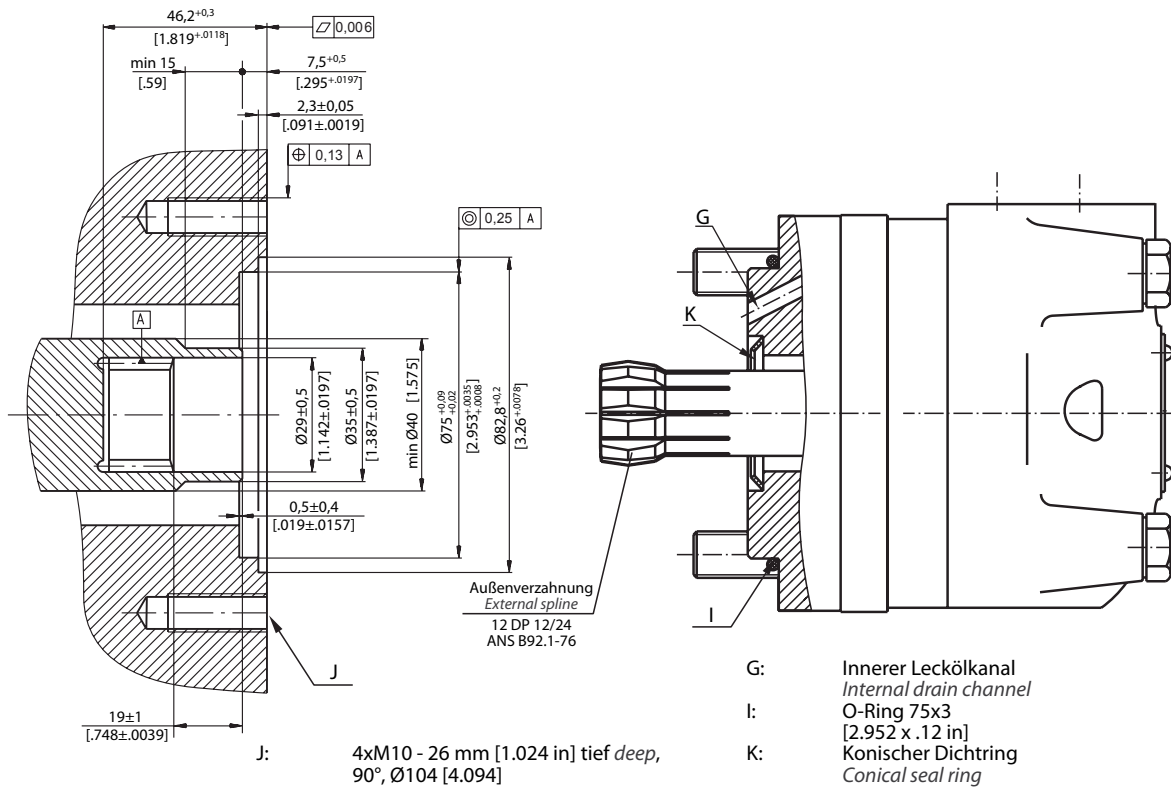
Einbaumaße EPMS-V mm [in.]
Dimensions EPMS-V mm [in.]



- F: Ölzirkulationsloch
Oil circulation hole
- H: Gehärtete Anschlagplatte
Hardened stop plate
- J: 4xM10 - 26 mm [1.024 in] tief *deep*, 90°

- G: Innerer Leckölkanal
Internal drain channel
- I: O-Ring 85x2
[3.346 x .0787 in]
- K: Konischer Dichttring
Conical seal ring

Einbaumaße EPMS-U mm [in.]
Dimensions EPMS-U mm [in.]



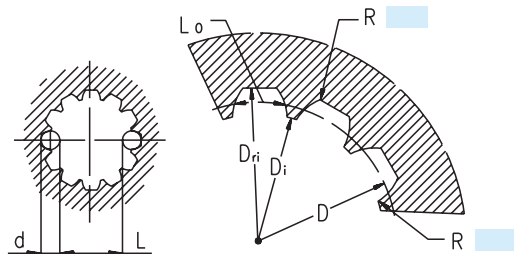
Leckölanschluss
Drain connection

Lecköl sollte abgeführt werden, wenn der zulässige Druck im Rücklauf überstiegen werden kann. Die Leckölleitung wird angeschlossen:
 Bei EPMS-S am Leckölanschluss des Motors.
 Bei EPMS-V und EPMS-U am Leckölanschluss der Anbaukomponente. Der Spitzendruck in der Leckölleitung wird durch die Wellendichtung der Anbaukomponente bestimmt.
 Die Leckölleitung sollte so dimensioniert sein, dass eine freie Strömung zwischen Motor und Anbaukomponente gewährleistet wird. Die Leckölleitung sollte direkt zum Tank geleitet werden.

*A drain line ought to be used when pressure in the return line can exceed the permissible pressure. It can be connected:
 For EPMS-S: at the drain port of the motor.
 For EPMS-V and EPMS-U: at the drain connection of the attached component. The maximum pressure in the drain line is limited by the attached component and its shaft seal.
 The drain line must be possible for oil to flow freely between motor and attached component. The drain line must be led to the tank.*

Daten der Innenverzahnung der Anbaukomponente
Internal spline data for the attached component

Standard ANSI B92.1-1976, class 5
 [m=2.1166; korrigiert x.m=+0,8]
 Standard ANSI B92.1-1976, class 5
 [m=2.1166; corrected x.m=+0,8]

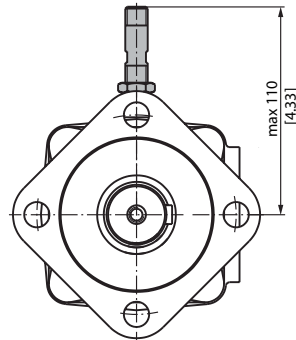
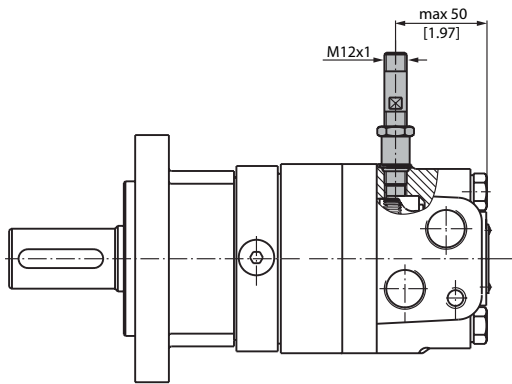


Härtenspezifikation:
 HV=750±50 an der Oberfläche
 HV=560 in 0,7±0,2 mm [.035±.019] in tiefe
Material:
 20 MoCr4 EN 10084 oder besser
Hardening specification:
 HV=750±50 on the surface
 HV=560 at 0,7±0,2 mm [.035±.019 in] depth
Material:
 20 MoCr4 EN 10084 or better

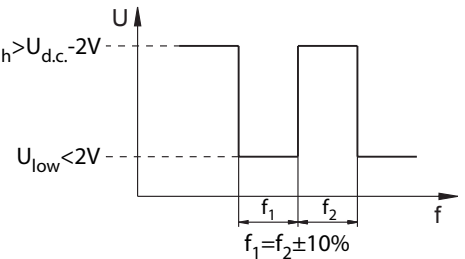
Stirnrad innenverzahnt Fillet root side fit		mm	inch
Zähnezahl <i>Number of teeth</i>	z	12	12
Diametral Pitch <i>Diametral pitch</i>	DP	12/24	12/24
Eingriffswinkel <i>Pressure angle</i>		30°	30°
Teilkreisdurchmesser <i>Pitch diameter</i>	D	25,4	1
Außendurchmesser <i>Major diameter</i>	Dri	28,0 _{-0,1}	1.1 ÷ 1.098
Innendurchmesser <i>Minor diameter</i>	Di	23,0 ^{+0,033}	.907 ÷ .905
Lückenweite <i>Space width</i>	Lo	4,308±0,020	.1704 ÷ .1688
Rundung <i>Fillet radius</i>	R	0,2	.008
Rollenmaß <i>Max. meas. between the pins</i>	L	17,62 ^{+0,15}	.699 ÷ .694
Meßrollendurchmesser <i>Pin dia.</i>	d	4,835±0,001	.19039 ÷ .19031

Pos. 7 Sonderausführungen *Special features*

Option RS: Drehzahlsensor Option RS: Speed sensor



Ausgangssignal Output signal

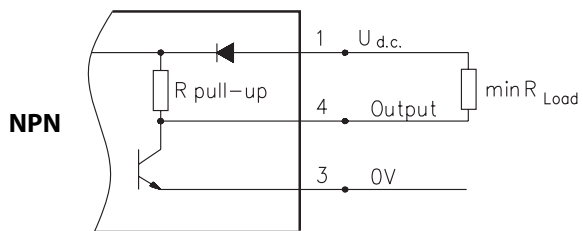
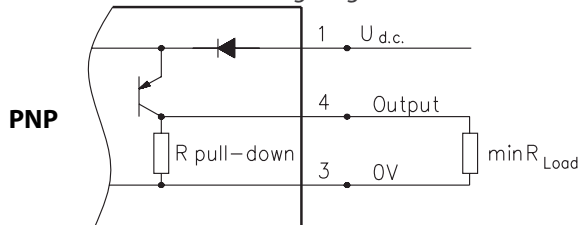


Load max: $I_{high} = I_{low} < 50\text{mA}$

Technische Daten Technical data

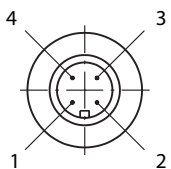
Frequenzbereich <i>Frequency range</i>	0 - 15000 Hz
Ausgang <i>Output</i>	PNP, NPN
Spannungsversorgung <i>Power supply</i>	10 - 36 VDC
Stromaufnahme <i>Current input</i>	20 mA (@24 VDC)
Umgebungstemperatur <i>Ambient temperature</i>	-40 - 125° C [-40 - 257° F]
Schutzart <i>Protection</i>	IP 67
Steckverbindung <i>Plug connector</i>	M12-Serie <i>Series</i>
Montageverfahren <i>Mounting principle</i>	ISO 6149
Impulse pro Umdrehung <i>Pulses per revolution</i>	54

Schaltplan Wiring diagram



$$R_{load}[\text{k}\Omega] = U_{d.c.}[\text{V}] / I_{max}[\text{mA}]$$

Anschluss Belegung Stick type



Anschluss Nr. <i>Terminal No.</i>	Belegung <i>Connection</i>	Ausgangsleitung <i>Cable Output</i>
1	U _{d.c.}	Braun <i>Brown</i>
2	Keine Belegung <i>No connection</i>	Weiß <i>White</i>
3	0V	Blau <i>Blue</i>
4	Ausgangssignal <i>Output signal</i>	Schwarz <i>Black</i>

Bestellcode für Drehzahlsensor Order code for speed sensor

Sensor Code	Ausgang <i>Output</i>	Elektrische Verbindung <i>Electric connection</i>
RSN	NPN	Kabelstecker M12 <i>Plug connector M12</i>
RSP	PNP	Kabelstecker M12 <i>Plug connector M12</i>
RSNL5	NPN	Anschlusskabel 3x0,25; 5m [196 in] lang <i>Cable output 3x0.25; 5m [196 in] long</i>
RSPL5	PNP	Anschlusskabel 3x0,25; 5m [196 in] lang <i>Cable output 3x0.25; 5m [196 in] long</i>

Der Drehzahlsensor wird nicht montiert geliefert. Der Sensor befindet sich in einer Plastiktüte in der Umverpackung des Motors. Für eine Installation beachten Sie bitte die beiliegende Montageanleitung.

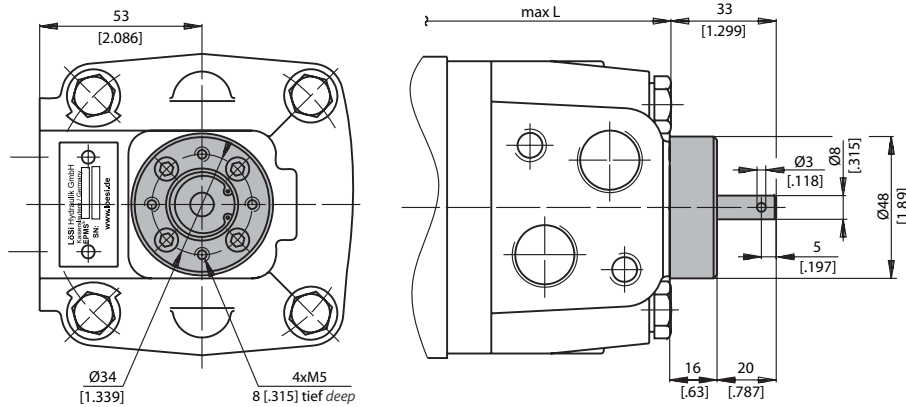
The speed sensor will be delivered not fitted, but is supplied in a plastic bag with the motor. For installation see the enclosed mounting instructions.

Option T: Tachowelle

Option T: Tacho connection

Unsere EPMS Motoren sind mit einer Tachowelle erhältlich mit der man die Drehzahl des Motors ermitteln kann. Die Tachowelle hat eine 6-mal größere Drehzahl und die umgekehrte Drehrichtung als die Abtriebswelle des Motors.

Our EPMS motors are available in version with tachometer drive shaft. With tachometer connection the speed of the motor can be registered. Tachometer shaft has a 6 times higher revolution speed than output shaft and opposite direction of rotation.



Achtung: Radiale oder axiale Belastung auf die Welle muss vermieden werden. Max. Drehmoment an der Tachowelle 0,1 daNm [0.885 lb-in]. Max. Rücklaufdruck (Dauerbetrieb) ohne Leckölleitung 20 bar [290 PSI].

Attention: Radial or axial load on tachometer shaft must be avoided. Max torque on shaft 0.1 daNm [0.885 lb-in]. Max. continuous return pressure without drain line 20 bar [290 PSI].

Option LL: Geringes Lecköl

Option LL: Low Leakage

Die Hydraulikmotoren der LL Reihe sind für den Einsatz im ganzen Anwendungsbereich (Druckabfall und Drehzahl) entworfen. Sie haben jedoch erheblich geringere Verluste in den Verdrängungsräumen. Diese Motoren sind geeignet für hydraulische Systeme bei denen die Motoren in Reihe geschaltet sind und geringe Leckölverluste gefordert sind.

LL series hydraulic motors are designed to operate at the whole standard range of working conditions (pressure drop and frequency of rotation), but with considerable decreased volumetric losses in the drain ports. These motors are suitable for hydraulic system with series-connected motors with demands for low leakage.

Option LSV: Ventil für geringe Drehzahlen

Option LSV: Low speed valve

Option LSV optimiert den Motor für den Betrieb bei kleinen Drehzahlen. LSV Motoren sind für den Betrieb mit standardmäßigen Höchstwerten des Druckabfalls und mit stoß freiem Betrieb bei niedrigen Drehzahlen (bis zu 200 U/min) ausgelegt. Ihre höchste Effektivität erreichen diese Motoren bei 20-50 U/min. Motoren mit diesem Ventil haben einen höheren Anlaufdruck. Der Druckabfall sollte größer als 40 bar [580 PSI] sein.

LSV option optimizes the motor for low speed performance. Motors with this valving provide very low speed while maintaining high torque. They are designed to run continuously at low speed (up to 200 RPM) at normal pressure drop and reduced flow. Optimal run is guaranteed at frequency of rotation from 20 to 50 RPM. Motors with this valving have an increased starting pressure and are not recommended for using at pressure drop less than 40 bar [580 PSI].

EPMS-B: Motor mit Trommelbremse EPMS-B: Motor with drum brake

Durch Betätigung des Bremshebels wird die Bremswelle gedreht. Diese Drehung bewirkt, dass die Bremsbacken gegen die Bremstrommel gepresst werden und so das Rad oder die Windentrommel stoppen.

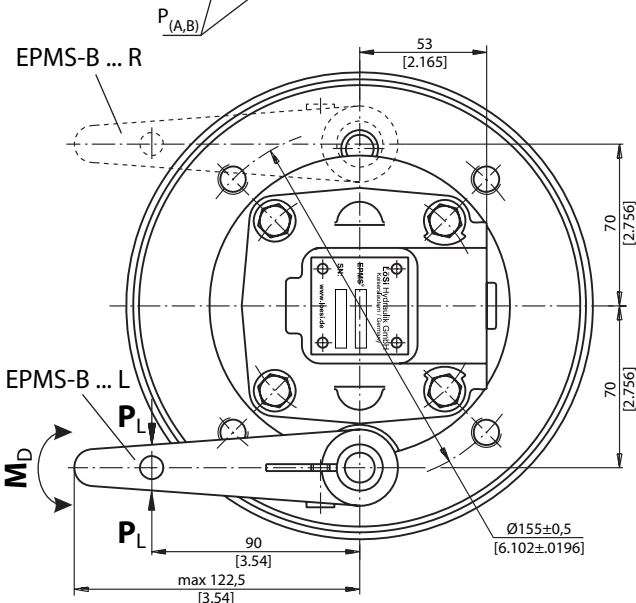
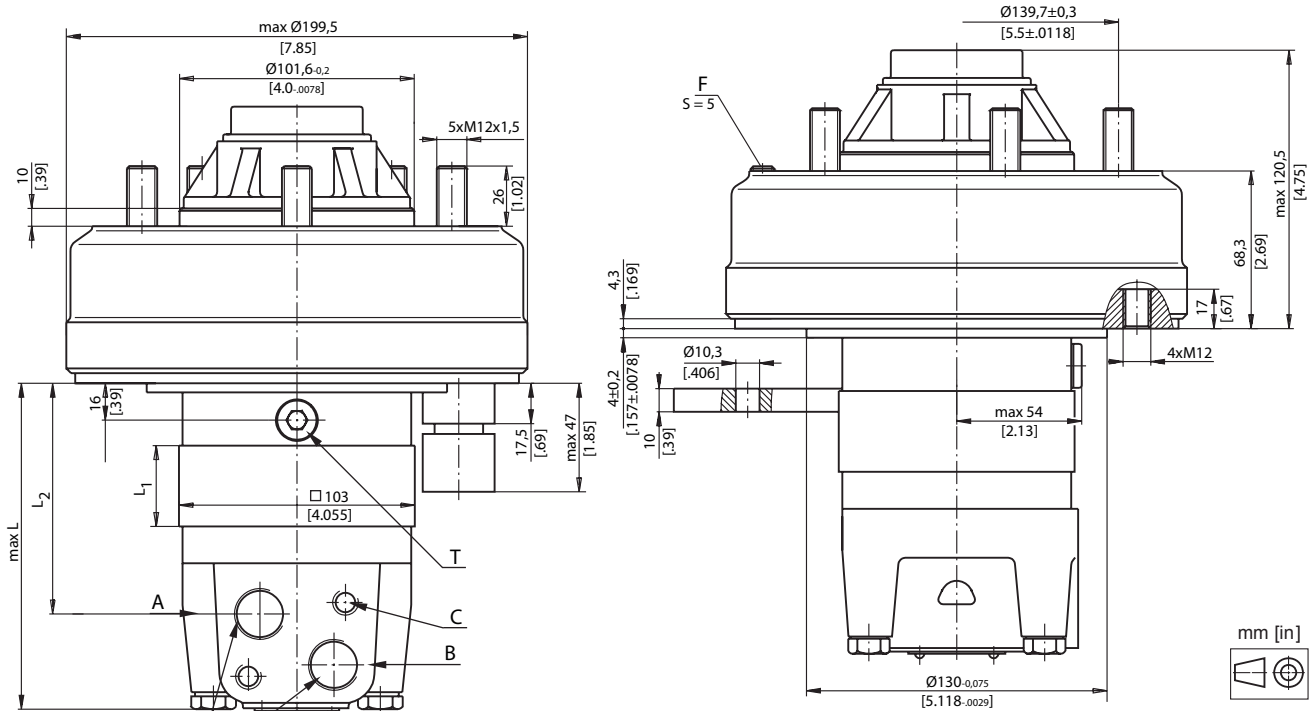
Wenn der Bremshebel freigegeben wird, ziehen die Federn die Bremsbacken und Bremshebel in die Ausgangsstellung zurück, die Bremse wird gelöst.

Die minimale Änderung beträgt 10°. Durch Demontage des Bremshebels, kann man den Winkel bestimmen. Je nach Anwendung, kann man die Betätigungsrichtung wählen. Der Weg der Kabel- oder Stangenbetätigung muss mindestens 25 mm [0.984 in] betragen um den Bremshebel von der Neutralstellung zum Anschlag zu bewegen.

Actuating the brake lever, the brake shaft is turned. The rectangular shape of the inner part of this shaft forces the brake pads to be pressed against the brake drum. This braks the wheel or the winch drum.

Releasing the lever, the springs pull it and the brake pads back to the initial position. The motor output shaft is released.

Minimum angle adjustment is 10°. It can be adjusted by dismantling the lever. Depending on the application you can choose the actuating direction of the brake lever. The rod connection actuating the brake should be capable of moving at last 25 mm [0.984 in] from neutral to extreme position.



- C: 2xM10 - 12mm [.47 in] tief deep
- F: Loch zur Sichtkontrolle des Bremsbelags
Inspection hole for checking brake lining
- P (A,B): 2xG1/2 oder or 2xM22x1,5 - 15mm [.59 in] tief deep
- T: G1/4 oder or M14x1,5 - 12 mm [.47 in] tief deep

Typ Type	L mm [in]	L ₁ mm [in]	L ₂ mm [in]
EPMS-B 80	119,0 [4.69]	14,0 [.55]	74,0 [2.91]
EPMS-B 100	122,0 [4.80]	17,4 [.69]	77,0 [3.03]
EPMS-B 125	126,0 [4.96]	21,8 [.86]	82,0 [3.23]
EPMS-B 160	132,0 [5.20]	27,8 [1.09]	88,0 [3.47]
EPMS-B 200	139,0 [5.47]	34,8 [1.37]	95,0 [3.74]
EPMS-B 250	148,0 [5.83]	43,5 [1.71]	110,0 [4.33]
EPMS-B 315	159,0 [6.26]	54,8 [2.16]	115,0 [4.53]
EPMS-B 400	174,0 [6.85]	69,4 [2.73]	130,0 [5.12]
EPMS-B 475	188,0 [7.40]	82,6 [3.25]	143,0 [5.63]
EPMS-B 525	180,0 [7.09]	74,5 [2.93]	135,0 [5.32]
EPMS-B 565	186,0 [7.32]	80,2 [3.16]	141,0 [5.55]

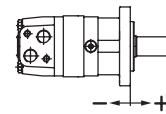
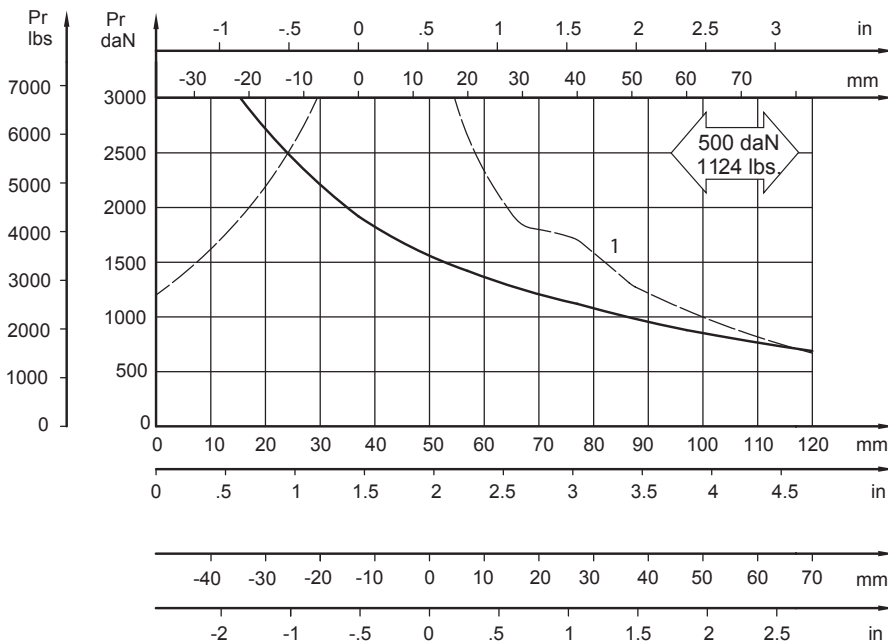
Für Hintenanschluss L + 8 mm [.315 in]
For rear ports L + 8 mm [.315 in]

Weitere Technische Informationen Further technical informations

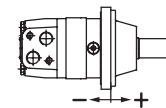
Zulässige Wellenbelastung Permissible shaft load

Die Abtriebswelle ist in kegeligen Rollenlagern gelagert, die hohe axiale und radiale Kräfte erlauben. Im Diagramm wird die zulässige Radiallast auf die Welle bei einer axialen Last von 0 N vom Befestigungsflansch bis zum Punkt der Belastung gezeigt. Die Kurven gelten für eine B10-Lebensdauer der Lager von 2000 Stunden bei 100 U/min. Die Kurve „1“ gibt den Grenzwert für die radiale Belastung an. Die Überschreitung dieser Grenzwerte führt bei allen Drehzahlen zu erheblicher Verkürzung der Motorlebensdauer.

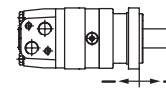
The output shaft runs in tapered bearings that permit high axial and radial forces. The permissible radial load on the shaft is shown for an axial load of 0 N as function of the distance from the mounting flange to the point of load application. The curves apply to a B10 bearing life of 2000 hours at 100 RPM. Curve „1“ shows max. radial shaft load. Any shaft load exceeding the values quoted in the curve will seriously reduce motor life.



Flanschoption
Flangeoption
Standard, A, F



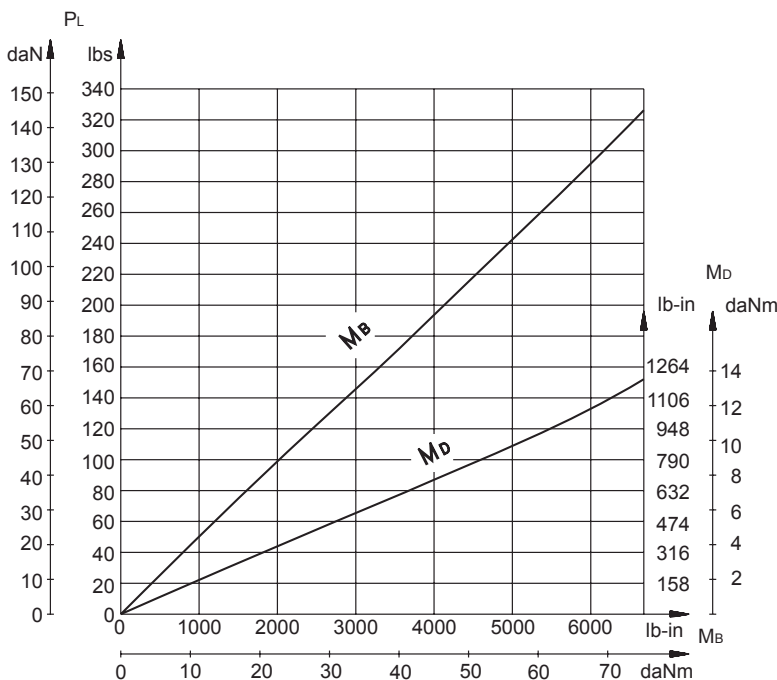
W



Q

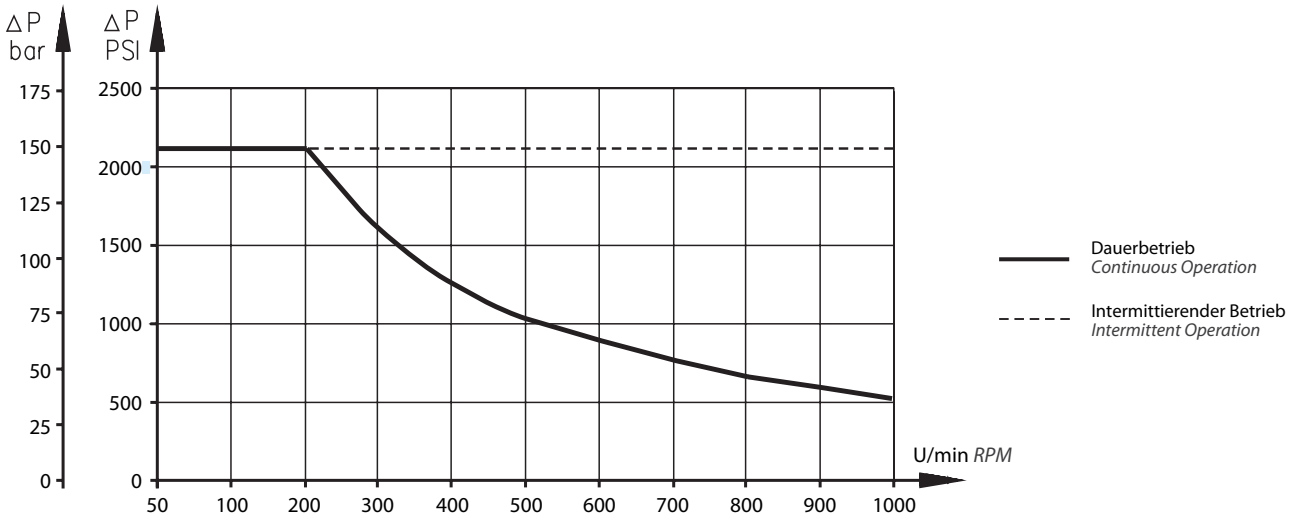
Alle Wellen außer Wellenoption SA
All shafts except shaft option SA

Funktionsdiagramm EPMS-B Function diagram EPMS-B



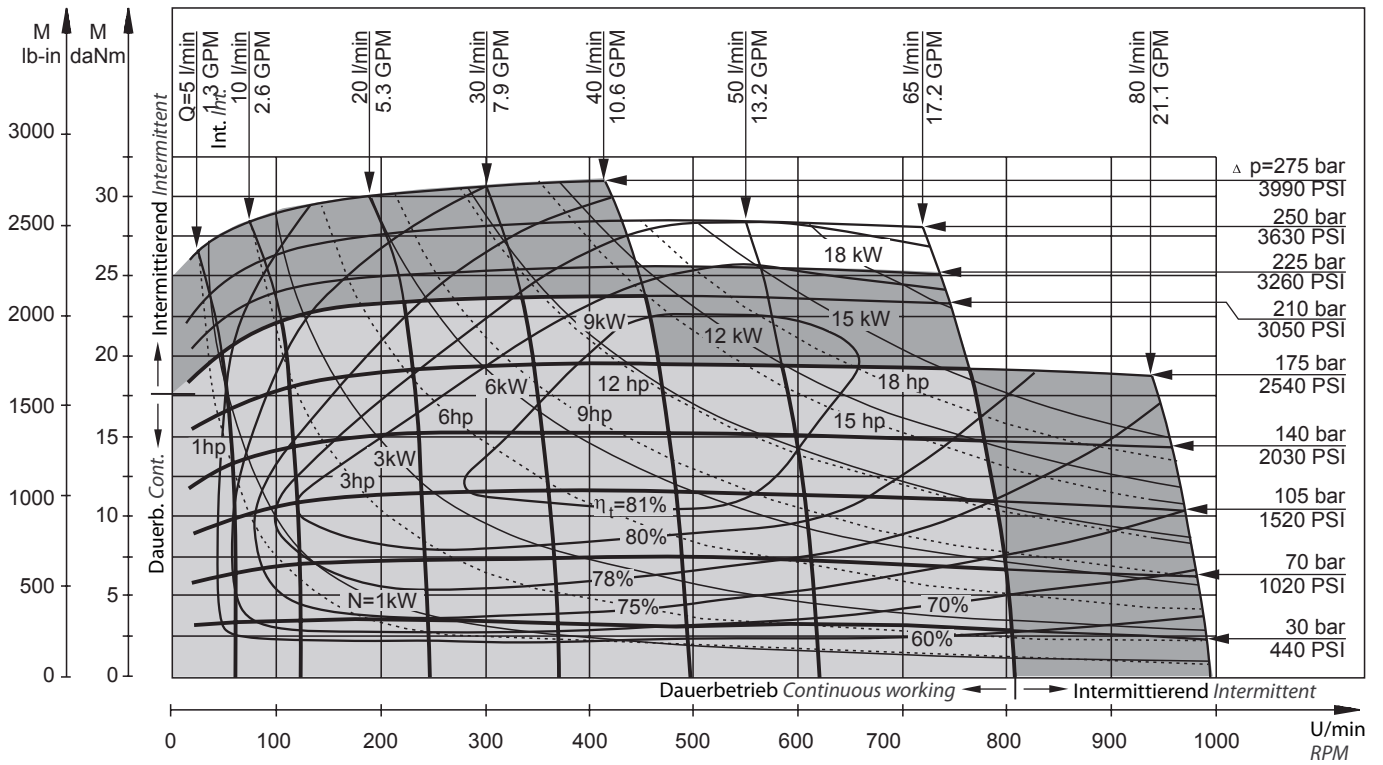
PL Belastungskraft
Brake Lever Load
Mb Bremsmoment
Brake torque
Md Haltemoment
Brake Lever torque

Max. Rücklaufdruck ohne Leckölleitung oder max. Druck in der Leckölleitung
Max. return pressure without drain line or max. pressure in the drain line



Leistungsdiagramme Function diagrams

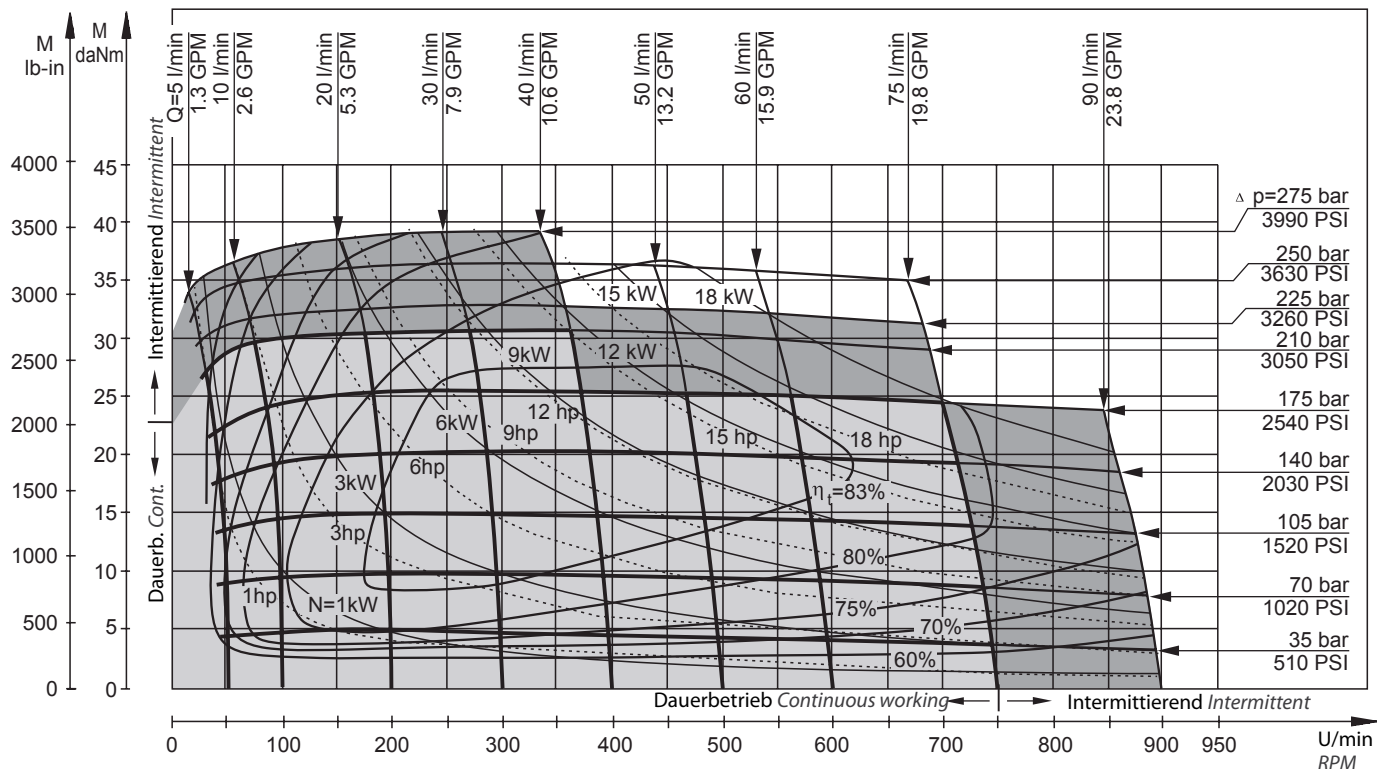
EPMS 80



Die Leistungsdiagramme werden bei einem Rücklaufdruck von 5-10 bar [72.5-145 PSI] erreicht. Kinematische Viskosität des Hydrauliköls 32 mm²/s [150 SUS] bei 50° C [122° F]

The function diagrams data is for average performance of randomly selected motors at back pressure 5-10 bar [72.5-145 PSI] and oil viscosity of 32 mm²/s [150 SUS] at 50° C [122° F]

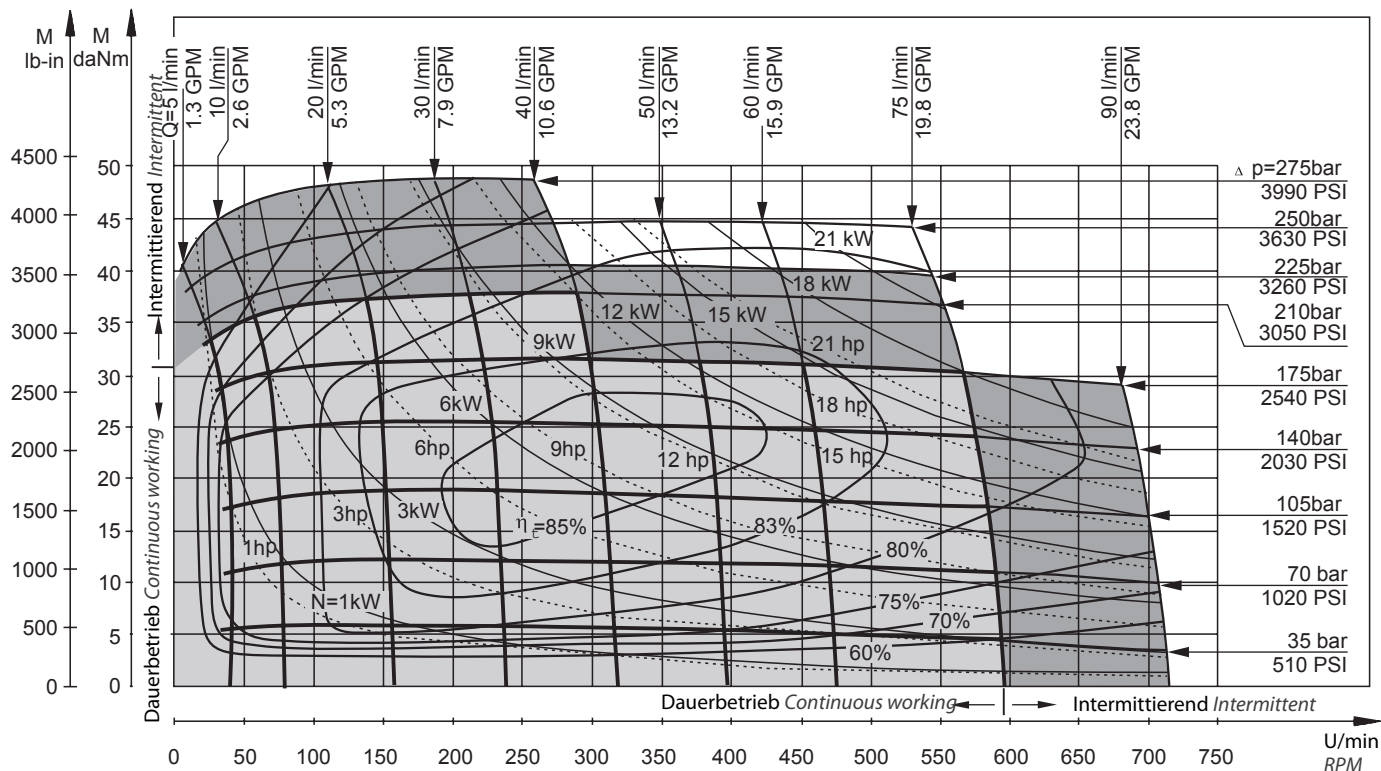
EPMS 100



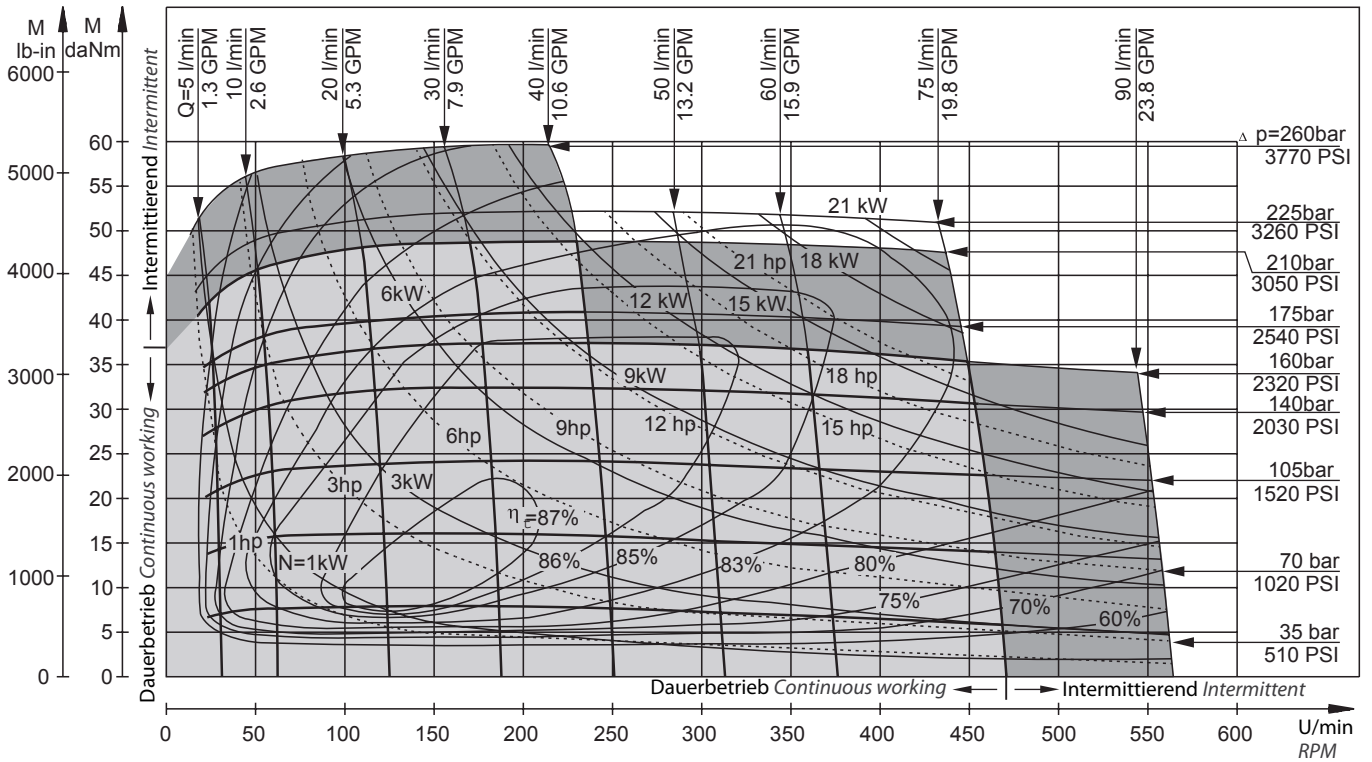
Die Leistungsdiagramme werden bei einem Rücklaufdruck von 5-10 bar [72.5-145 PSI] erreicht. Kinematische Viskosität des Hydrauliköls 32 mm²/s [150 SUS] bei 50° C [122° F]

The function diagrams data is for average performance of randomly selected motors at back pressure 5-10 bar [72.5-145 PSI] and oil viscosity of 32 mm²/s [150 SUS] at 50° C [122° F]

EPMS 125



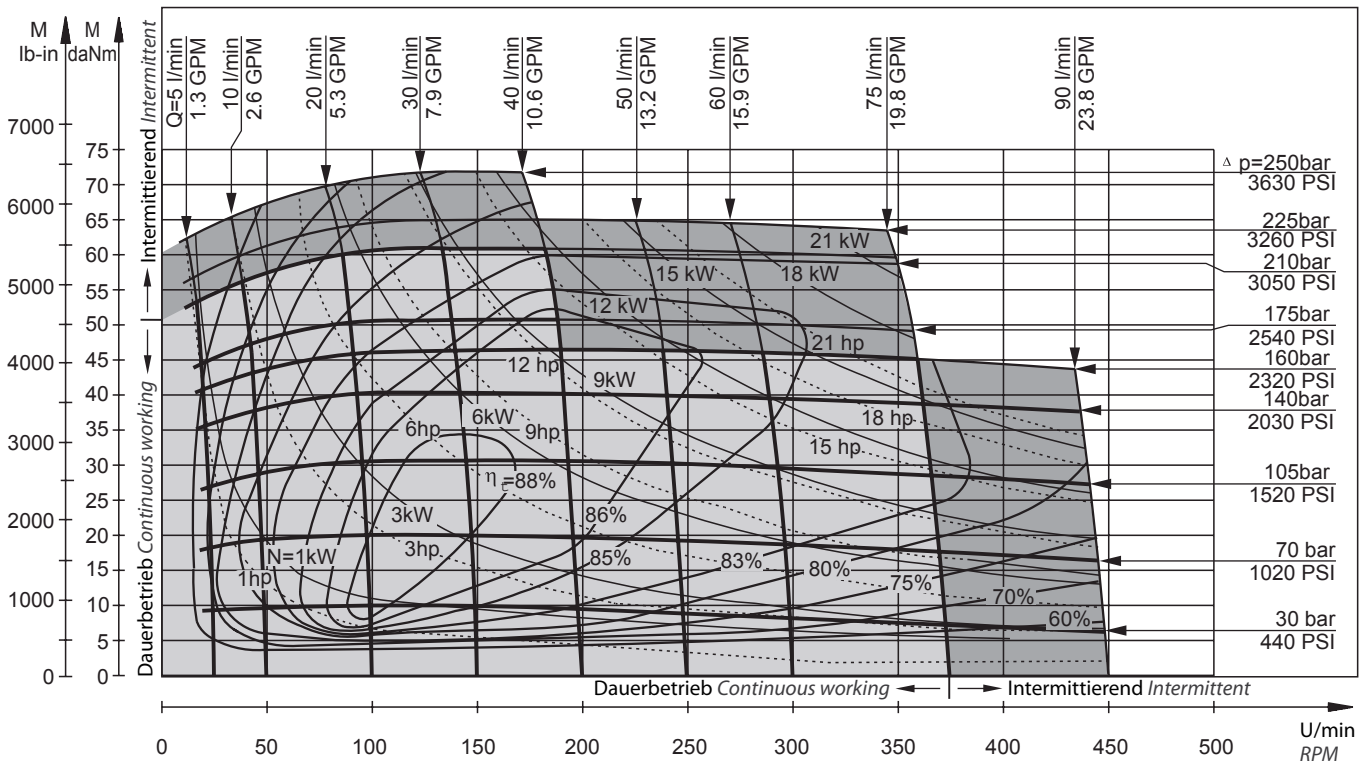
EPMS 160



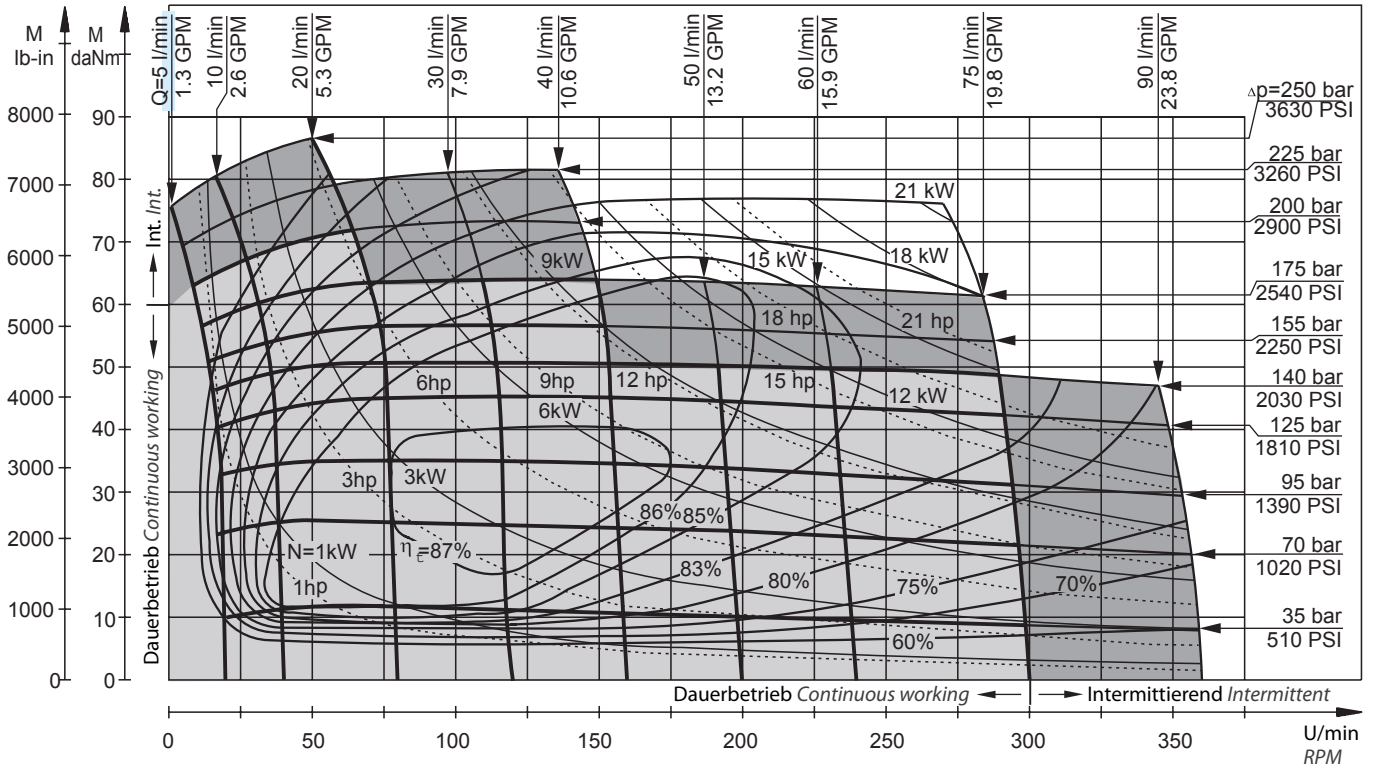
Die Leistungsdiagramme werden bei einem Rücklaufdruck von 5-10 bar [72.5-145 PSI] erreicht. Kinematische Viskosität des Hydrauliköls 32 mm²/s [150 SUS] bei 50° C [122° F]

The function diagrams data is for average performance of randomly selected motors at back pressure 5-10 bar [72.5-145 PSI] and oil viscosity of 32 mm²/s [150 SUS] at 50° C [122° F]

EPMS 200



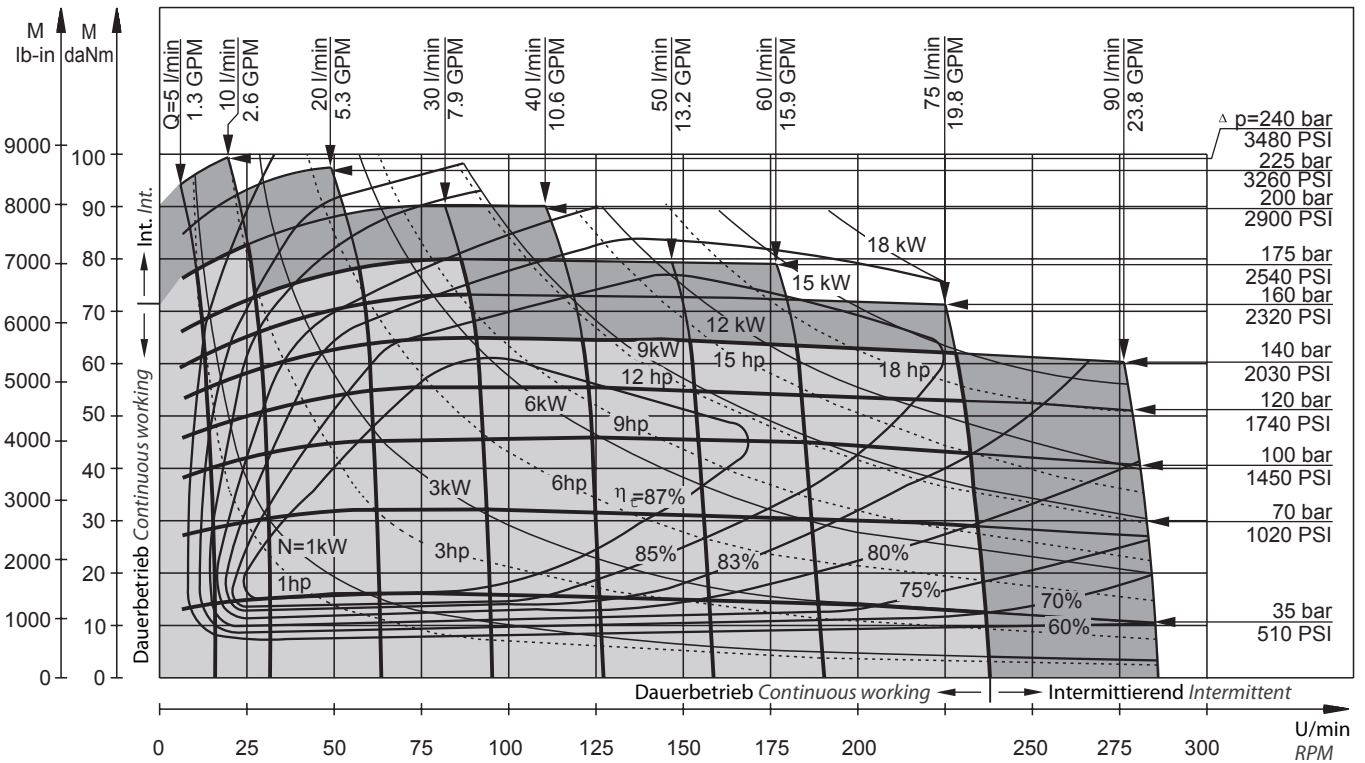
EPMS 250



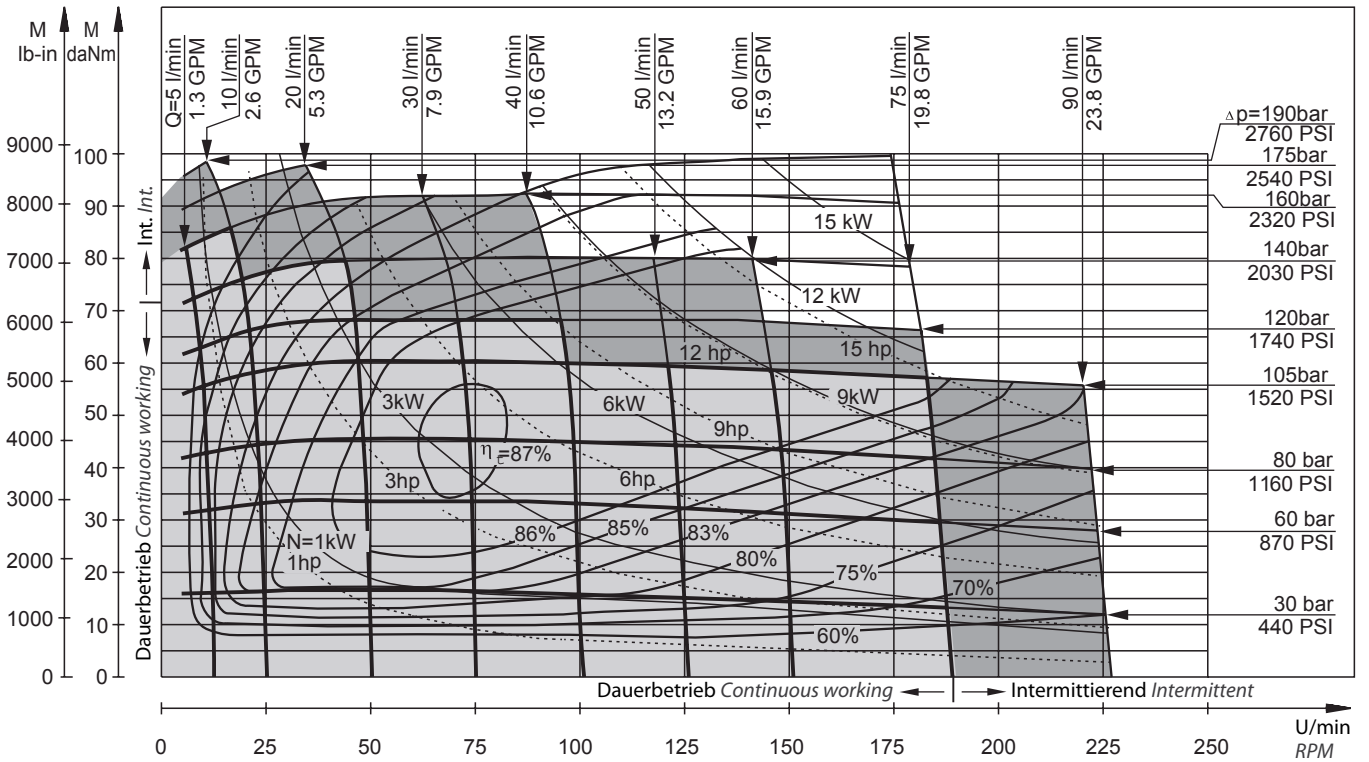
Die Leistungsdiagramme werden bei einem Rücklaufdruck von 5-10 bar [72.5-145 PSI] erreicht. Kinematische Viskosität des Hydrauliköls 32 mm²/s [150 SUS] bei 50° C [122° F]

The function diagrams data is for average performance of randomly selected motors at back pressure 5-10 bar [72.5-145 PSI] and oil viscosity of 32 mm²/s [150 SUS] at 50° C [122° F]

EPMS 315



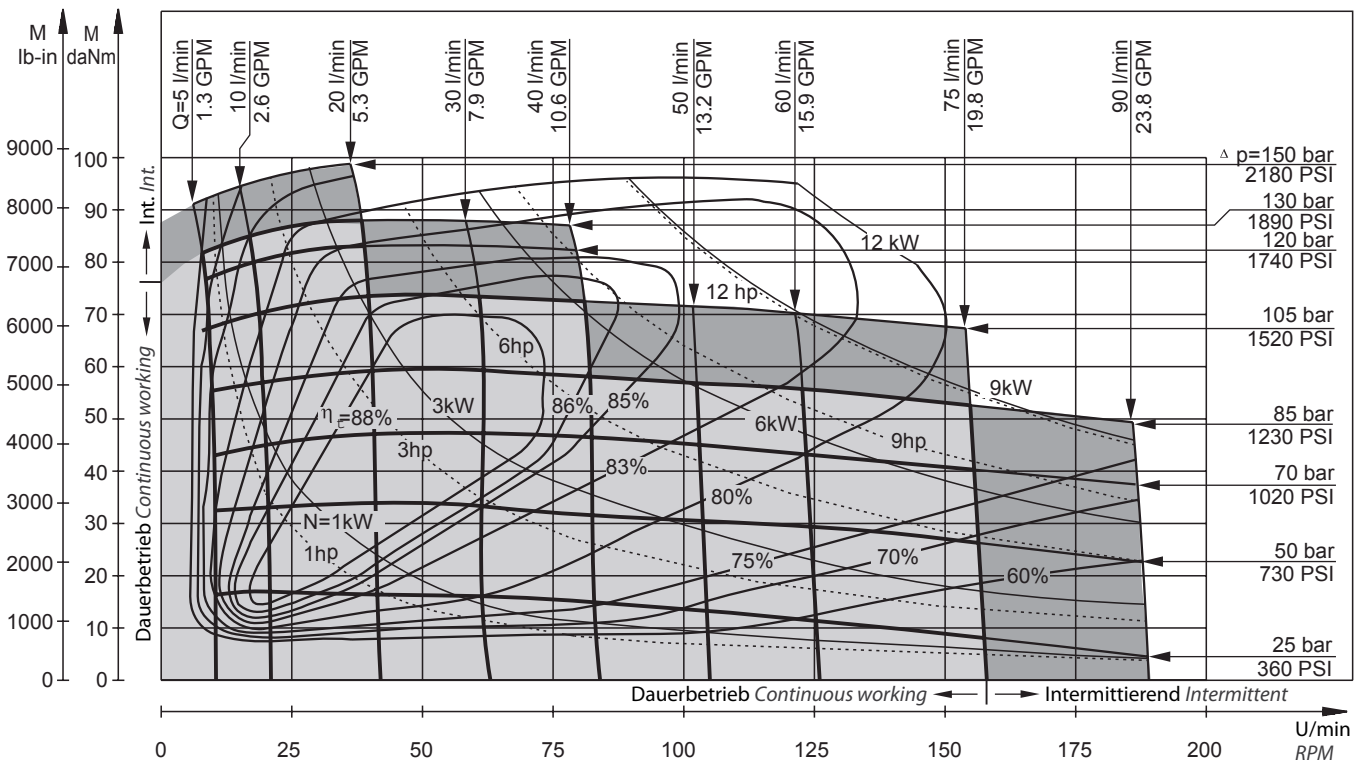
EPMS 400



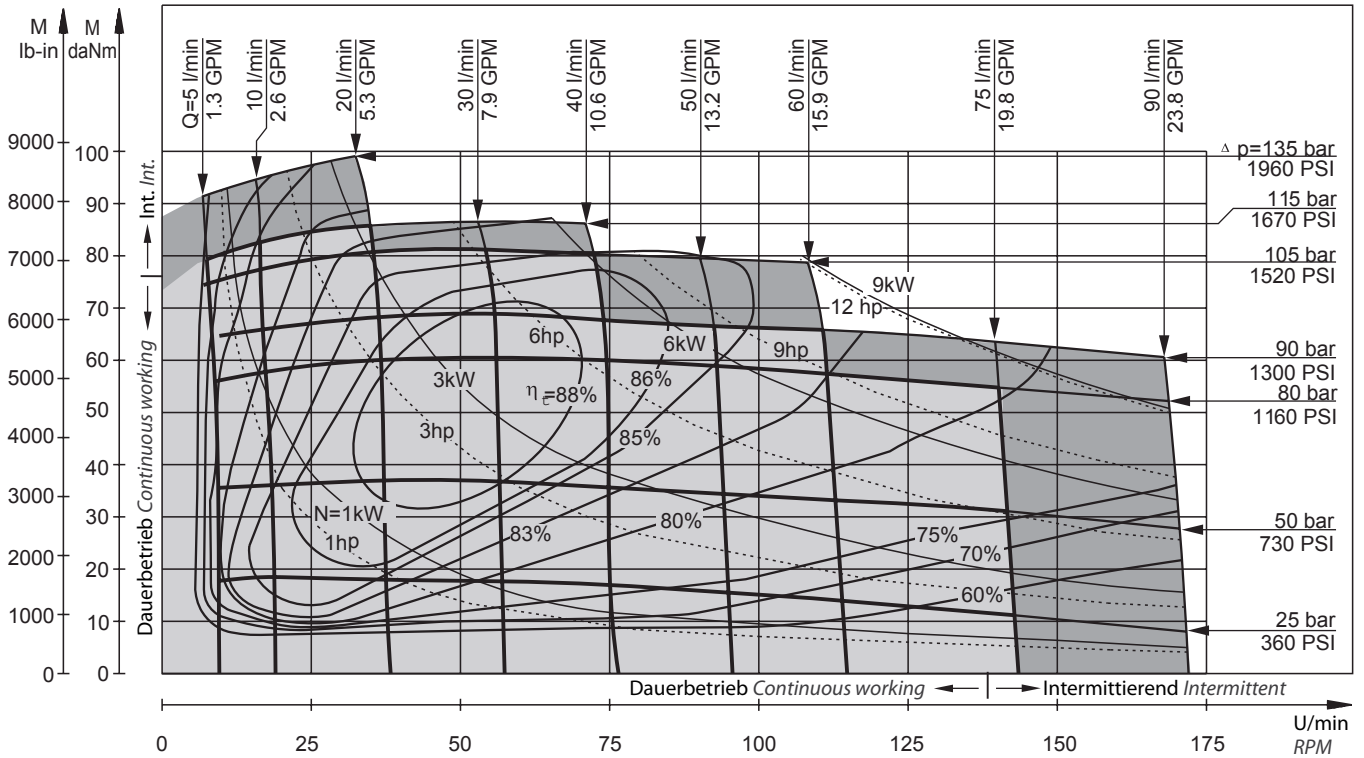
Die Leistungsdiagramme werden bei einem Rücklaufdruck von 5-10 bar [72.5-145 PSI] erreicht. Kinematische Viskosität des Hydrauliköls 32 mm²/s [150 SUS] bei 50° C [122° F]

The function diagrams data is for average performance of randomly selected motors at back pressure 5-10 bar [72.5-145 PSI] and oil viscosity of 32 mm²/s [150 SUS] at 50° C [122° F]

EPMS 475



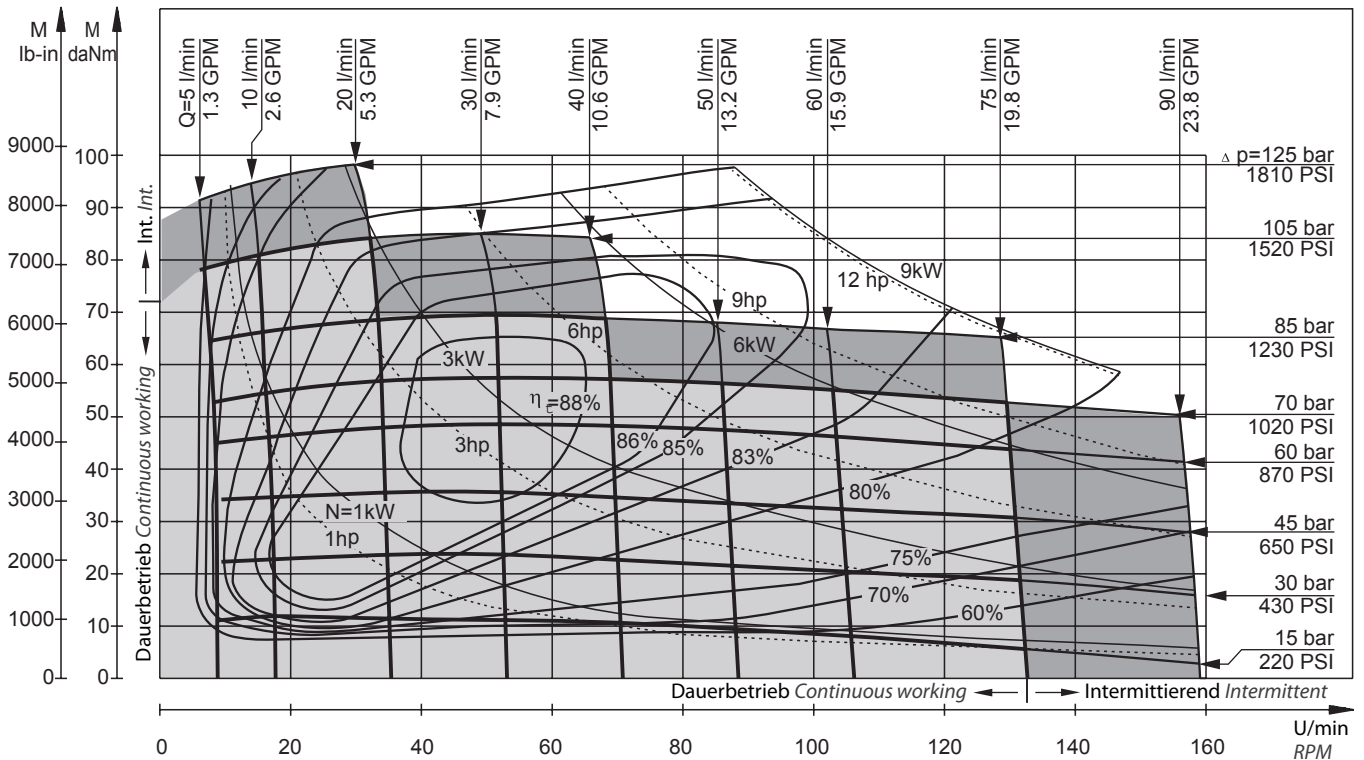
EPMS 525



Die Leistungsdiagramme werden bei einem Rücklaufdruck von 5-10 bar [72.5-145 PSI] erreicht. Kinematische Viskosität des Hydrauliköls 32 mm²/s [150 SUS] bei 50° C [122° F]

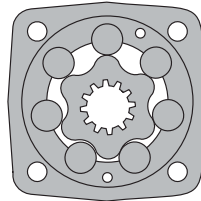
The function diagrams data is for average performance of randomly selected motors at back pressure 5-10 bar [72.5-145 PSI] and oil viscosity of 32 mm²/s [150 SUS] at 50° C [122° F]

EPMS 565



Planetenmotor EPMS[®] Y

Planetarymotor EPMS[®] Y



Anwendung

- Förderbänder
- Metallbearbeitungsmaschinen
- Werkzeugmaschinen
- Mobile Arbeitsmaschinen
- Baumaschinen
- Landmaschinen
- u.a.

Bauweise und Ausführungen

- Modell: Axialverteilterventil, Planetenrollersatz
- Flansch: SAE A, Magneto-, Quadrat- oder Radflansch
- Anschlüsse: Hinten oder seitlich, metrisches oder BSPP Gewinde
- Welle: Zylindrisch, konisch oder verzahnt
- Motor mit Trommelbremse
- Motor mit Tachowelle
- Drehzahlsensorik
- Sonderausführungen

Application

- Conveyors
- Metal working machines
- Machine tools
- Special vehicles
- Road buliding machines
- Agriculture machines
- etc.

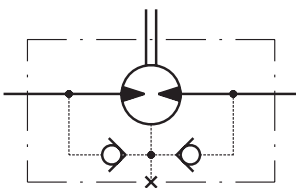
Construction and options

- Model: Disc valve, roll-gerotor
- Flange: SAE A, Magneto-, square- or wheelflange
- Ports: Rear or side ports, metric or BSPP threaded ports
- Shafts: Cylindrical, tapered or splined
- Motor with drum brake
- Motor with tacho connection
- Speed sensing
- Other special features

Übersicht Overview

Max. Schluckvolumen	Max. Displacement	cm ³ /U	ccm/rev	[in ³ /rev]	200,0 - 474,6 [12.2 - 28.96]
Max. Drehzahl	Max. Speed	U/min	RPM		450
Max. Drehmoment	Max. Torque	daNm		[in-lb]	100 [8850]
Max. Leistungsabgabe	Max. Output	kW		[HP]	24 [32.2]
Max. Druckgefälle	Max. Pressure drop	bar		[PSI]	225 [3270]
Max. Ölstrom	Max. Oil flow	l/min	lpm	[GPM]	90 [24]
Min. Drehzahl	Min. Speed	U/min	RPM		5
Hydrauliköl	Pressure fluid				HLP (DIN 51524) oder or HM (ISO 6743/4)
Öltemperatur	Temperature range	°C		[°F]	-40 - 140 [-40 - 284]
Optimalviskosität	Optimal viscosity range	mm ² /s		[SUS]	20 - 75 [98 - 347]
Filterierung	Filtration				ISO Code 20/16 (min. empfohlene Filterierung recommended filtration 25 µm)

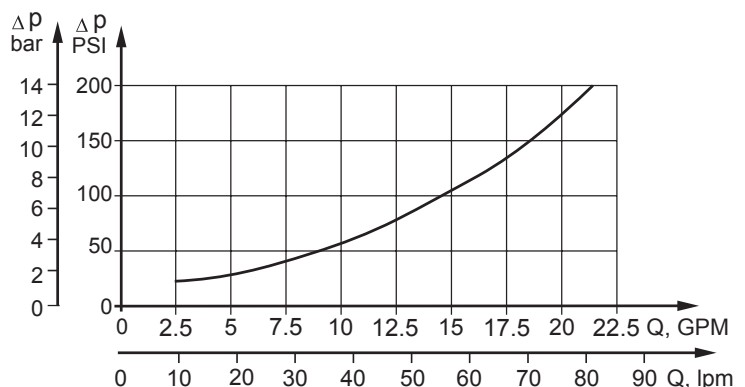
Schaltzeichen Graphic symbol



Ölstrom in der Leckölleitung Oil flow in drain line

Druckgefälle Pressure drop bar [PSI]	Viskosität Viscosity mm ² /s [SUS]	Ölstrom Oilflow l/min lpm [GPM]
140 [2030]	20 [98]	1,5 [.396]
	35 [164]	1,0 [.264]
210 [3045]	20 [98]	3,0 [.793]
	35 [164]	2,0 [.528]

Druckverlust Pressure losses



Technische Daten *Technical datas*

Typ <i>Type</i>		EPMSY 200	EPMSY 250	EPMSY 315	EPMSY 400	EPMSY 475
Schluckvolumen <i>Displacement cm³/U ccm/rev [in³/rev]</i>		200,0 [12.20]	250,0 [15.30]	314,9 [19.20]	397,0 [24.20]	474,6 [28.96]
Max. Drehzahl <i>Max. Speed</i> U/min <i>RPM</i>	Dauerbetrieb <i>Continuous working</i>	375	300	240	185	155
	Intermittierend* <i>Intermittent *</i>	450	360	285	225	185
Max. Drehmoment <i>Max. Torque</i> daNm [lb-in]	Dauerbetrieb <i>Continuous working</i>	56,6 [5010]	70,8 [6270]	90,0 [7965]	90,0 [7965]	91,0 [8055]
	Intermittierend* <i>Intermittent *</i>	64,5 [5710]	80,6 [7135]	96,0 [8500]	97,0 [8585]	96,0 [8500]
	Spitze ** <i>Peak **</i>	65,0 [5755]	80,6 [7135]	108,0 [9560]	110,0 [9735]	100,0 [8850]
Max. Leistungsabgabe <i>Max. Output</i> kW [HP]	Dauerbetrieb <i>Continuous working</i>	18,1 [24.3]	18,0 [24.1]	17,0 [22.8]	11,0 [14.7]	9,0 [12.1]
	Intermittierend* <i>Intermittent *</i>	24,0 [32.2]	23,8 [31.9]	20,2 [27.1]	12,0 [16.1]	11,0 [14.7]
Max. Druckgefälle <i>Max. Pressure drop</i> bar [PSI]	Dauerbetrieb <i>Continuous working</i>	200 [2900]	200 [2900]	200 [2900]	160 [2320]	140 [2230]
	Intermittierend* <i>Intermittent *</i>	225 [3270]	225 [3270]	225 [3270]	175 [2540]	150 [2175]
	Spitze ** <i>Peak **</i>	225 [3270]	225 [3270]	225 [3270]	200 [2900]	175 [2540]
Max. Ölstrom <i>Max. Oil flow</i> l/min <i>lpm</i> [GPM]	Dauerbetrieb <i>Continuous working</i>	75 [20]	75 [20]	75 [20]	75 [20]	75 [20]
	Intermittierend* <i>Intermittent *</i>	90 [24]	90 [24]	90 [24]	90 [24]	90 [24]
Max. Eingangsdruck <i>Max. Inlet pressure</i> bar [PSI]	Dauerbetrieb <i>Continuous working</i>	210 [3045]	210 [3045]	210 [3045]	210 [3045]	210 [3045]
	Intermittierend* <i>Intermittent *</i>	250 [3625]	250 [3625]	250 [3625]	250 [3625]	250 [3625]
	Spitze ** <i>Peak **</i>	300 [4350]	300 [4350]	300 [4350]	300 [4350]	300 [4350]
Max. Rücklaufdruck mit Leckölleitung <i>Max. Return pressure with drain line</i> bar [PSI]	Dauerbetrieb <i>Continuous working</i>	140 [2030]	140 [2030]	140 [2030]	140 [2030]	140 [2030]
	Intermittierend* <i>Intermittent *</i>	175 [2540]	175 [2540]	175 [2540]	175 [2540]	175 [2540]
	Spitze ** <i>Peak **</i>	210 [3050]	210 [3050]	210 [3050]	210 [3050]	210 [3050]
Max. Anlaufdruck mit unbelasteter Welle <i>Max. starting pressure with unloaded shaft</i>	bar [PSI]	8 [115]	8 [115]	8 [115]	8 [115]	8 [115]
Min. Anlaufmoment bei max. Druckgefälle <i>Min. starting torque at max. pressure</i> drop daNm [lb-in]	Dauerbetrieb <i>Continuous working</i>	46,2 [4090]	58,0 [5135]	73,8 [6530]	72,0 [6370]	47,0 [4160]
	Intermittierend* <i>Intermittent *</i>	50,7 [4490]	63,6 [5630]	79,2 [7010]	78,7 [6965]	55,0 [4870]
Min. Drehzahl *** <i>Min speed ***</i>	U/min <i>RPM</i>	6	6	5	5	5
Gewicht <i>Weight</i> kg [lb]	EPMSY (F)	11,2 [24.7]	11,7 [25.8]	12,4 [27.3]	13,3 [29.3]	14,4 [31.8]
	EPMSY-W	11,7 [25.8]	12,2 [26.9]	12,9 [28.4]	13,8 [28.4]	15,0 [33.0]
Für Hintenanschluss <i>For rear ports</i> +0,40 [.88]	EPMSY-Q	11,6 [25.6]	12,1 [26.7]	12,8 [28.2]	13,7 [30.2]	14,9 [32.8]

* Intermittierend: Betrieb max. 10% pro Minute

** Spitze: max. 1% pro Minute

*** Für Drehzahlen kleiner der min. Drehzahl sprechen Sie uns bitte an.

- Intermittierende Druckgefälle und Ölströme dürfen nicht gleichzeitig erreicht werden.

- Minimale Viskosität 13 mm²/s [70 SUS] bei 50° C [122° F]

- Maximale Öltemperatur während des Betriebs 82° C [180° F]

- Die Lebensdauer der Motoren kann erhöht werden, wenn die Antriebswelle 10-15 Minuten vor voller Belastung frei läuft.

* Intermittent: Working max. 10% per minute

** Peak: max. 1% per minute

*** For speeds lower than given, please consult us.

- Intermittent speed and pressure should not occur simultaneously.

- Recommended minimum oil viscosity 13 mm²/s [70 SUS] at 50° C [122° F]

- Recommended maximum system operating temperature is 82° C [180° F]

- To assure optimum motor life fill with fluid prior to loading and run at moderate load and speed for 10-15 minutes.

Bestellcode EPMSY Ordercode EPMSY

EPMSY	1	2	3	4	5	6	7	8
-------	---	---	---	---	---	---	---	---

Pos. 1	Montageflansch <i>Mounting flange</i>
frei omit	SAE A-4, vier Befestigungslöcher <i>SAE A-4, four holes</i>
A	SAE A-2, zwei Befestigungslöcher <i>SAE A-2, two holes</i>
F	Magnetoflansch, vier Befestigungslöcher <i>Magnetoflange, four holes</i>
Q	Quadratflansch, vier Befestigungslöcher <i>Square flange, four holes</i>
B	Motor mit Trommelbremse <i>Motor with drum brake</i>
S	Kurzeinbau <i>Short mount</i>
V	Sehr kurzer Einbau <i>Very short mount</i>
W	Radflansch <i>Wheel flange</i>

Pos. 2	Anschlusstyp <i>Port type</i>
frei omit	Seitenanschluss <i>Side ports</i>
E	Hintenanschluss <i>Rear ports</i>

Pos. 3	Schluckvolumen <i>Displacement</i>
200	200,0 cm ³ /U <i>ccm/rev</i> [12.20 in ³ /rev]
250	250,0 cm ³ /U <i>ccm/rev</i> [15.30 in ³ /rev]
315	314,9 cm ³ /U <i>ccm/rev</i> [19.20 in ³ /rev]
400	397,0 cm ³ /U <i>ccm/rev</i> [24.20 in ³ /rev]
475	474,6 cm ³ /U <i>ccm/rev</i> [28.96 in ³ /rev]

Pos. 4	Abtriebswelle * <i>Shaft *</i>
frei omit	Für B, S, und V Flansch <i>For B, S, and V flange</i>
C	Zylindrisch Ø32, Passfeder A10x8x45 DIN 6885 <i>Cylindrical Ø32, parallel key A10x8x45 DIN 6885</i>

K	Konisch 1:10 Ø35, Passfeder B6x6x20 DIN 6885 <i>Tapered 1:10 Ø35, parallel key B6x6x20 DIN 6885</i>
SL	Zapfwelle Ø34,85, DIN 9611 Form 1 <i>P.T.O.-shaft Ø34,85, DIN 9611 Form 1</i>
SH	Verzahnt Ø1 1/4", 14 Zähne ANS B92.1-1970 <i>Splined Ø1 1/4", 14T ANS B92.1-1970</i>

Pos. 5	Anschlüsse <i>Ports</i>
frei omit	BSPP (ISO 228)
M	Metrisch <i>metric</i> (ISO 262)

Pos. 6	Lage des Bremshebels ** <i>Actuating direction **</i>
/R	Rechts <i>Right</i>
/L	Links <i>Left</i>

Pos. 7	Sonderausführungen <i>Special features</i>
RS	Drehzahlsensor <i>Speed sensor</i>
T	Tachowelle <i>Tacho connection</i>
LL	Geringeres Lecköl <i>Low Leakage</i>
LSV	Ventil für geringe Drehzahlen <i>Low speed valve</i>
R	Drehrichtung umgedreht <i>Reverse rotation</i>
P	Lackiert (Farbe auf Anfrage) <i>Paint (Colour on request)</i>
PC	Korrosionsschutzfarbe (Farbe auf Anfrage) <i>Corrosion protected paint (Colour on request)</i>

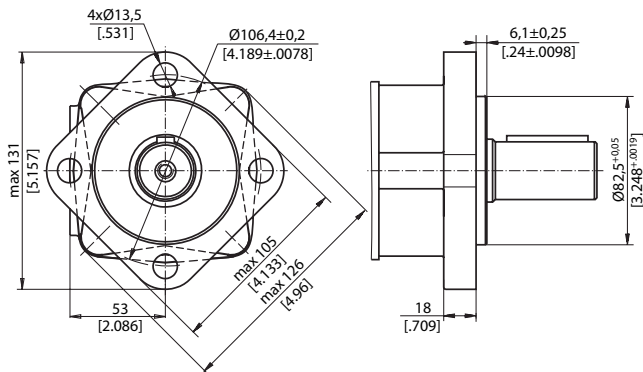
Pos. 8	Design Serie <i>Design series</i>
frei omit	Betriebsspezifisch <i>Factory specified</i>

* Zulässige Momentabgabe darf nicht überschritten werden
Permissible output torque should not be exceeded

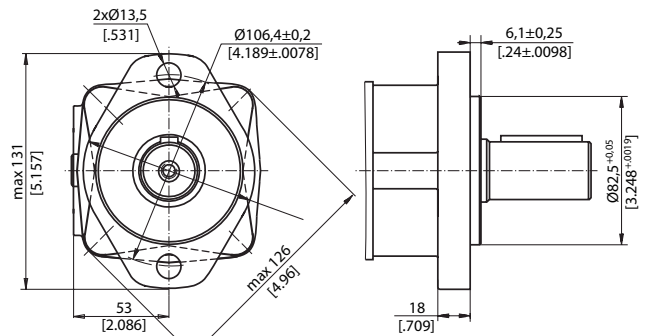
** Nur für EPMSY-B
Only for EPMSY-B

Pos. 1 Montageflansch *Mounting flange*

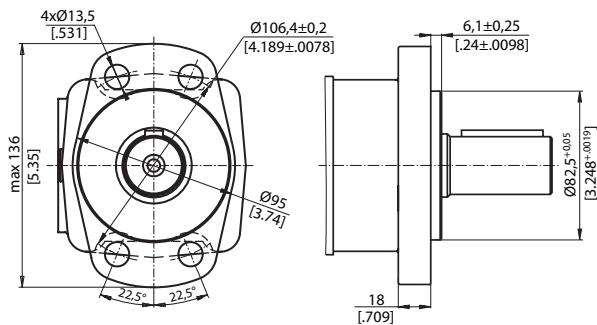
Standard: SAE A-4, vier Befestigungslöcher
Standard: SAE A-4, four holes



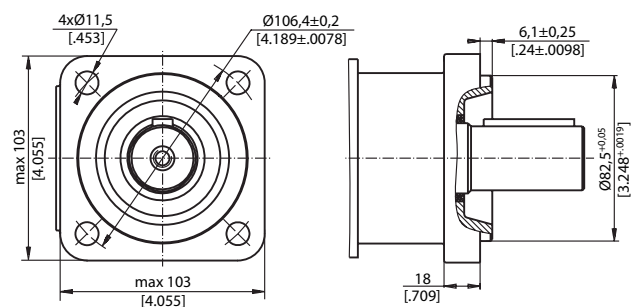
Option A: SAE A-2, zwei Befestigungslöcher
Option A: SAE A-2, two holes



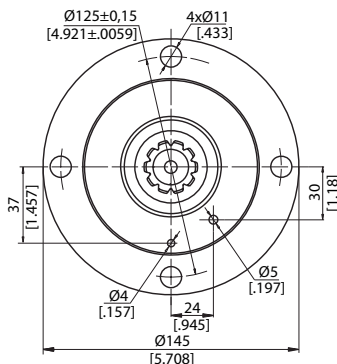
Option F: Magnetflansch, vier Befestigungslöcher
Option F: Magnetflange, four holes



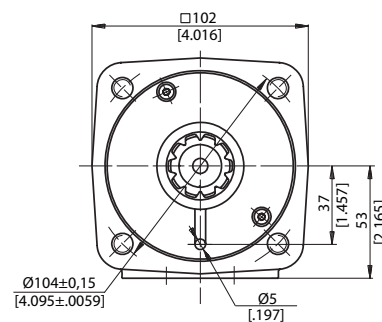
Option Q: Quadratflansch, vier Gewindebohrungen
Option Q: Square mount, four bolts



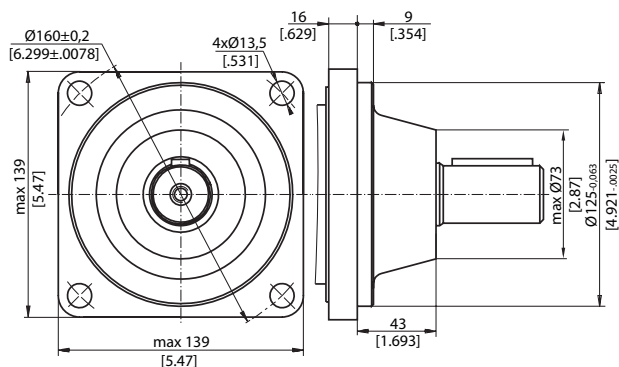
Option S: Kurzeinbau
Option S: Short mount



Option V: Sehr kurzer Einbau
Option V: Very short mount

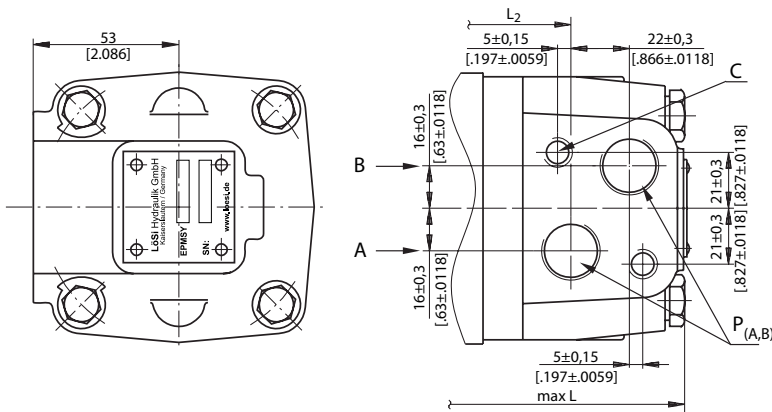


Option W: Radflansch
Option W: Wheel flange



Pos. 2 Anschlussstyp Port type

Standard: Seitenanschluss
Standard: Side ports

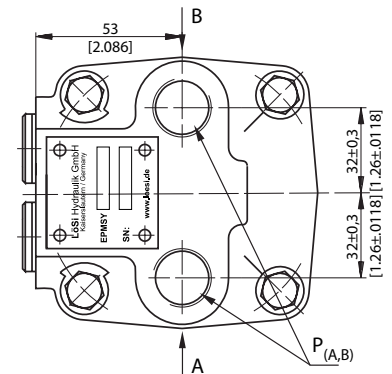


C: 2xM10 - 12mm [.47 in] tief deep
 P (A,B): 2xG1/2 oder 2xM22x1,5 - 15mm [.59 in] tief deep
 T: G1/4 oder M14x1,5 - 12 mm [.47 in] tief deep

Standarddrehung
 mit Blick auf Abtriebswelle
 Druck auf Anschluss **A** - rechtsdrehend
 Druck auf Anschluss **B** - linksdrehend

Reversierdrehung (Pos. 7 - Option R)
 mit Blick auf Abtriebswelle
 Druck auf Anschluss **A** - linksdrehend
 Druck auf Anschluss **B** - rechtsdrehend

Option E: Hintenanschluss
Option E: Rear ports

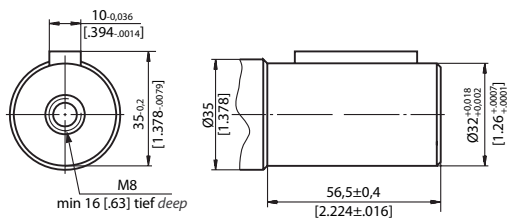


Standard rotation
 Viewed from shaft end
 Port **A** pressurized- right running
 Port **B** pressurized- left running

Reversierdrehung (Pos. 7 - Option R)
 Viewed from shaft end
 Port **A** pressurized- left running
 Port **B** pressurized- right running

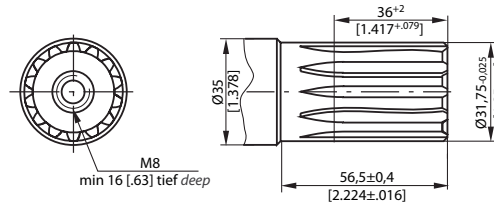
Pos. 4 Abtriebswelle Shaft

Option C: Zylindrisch Ø32 mm
Option C: Cylindrical Ø32 mm



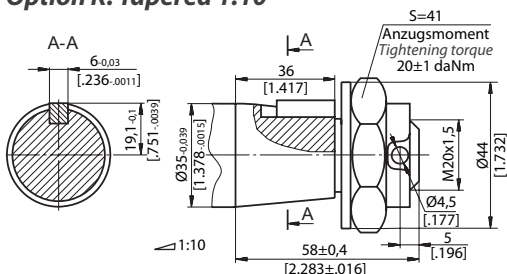
Max. Drehmomentabgabe 77 daNm [6815 lb-in]
 Max. Torque 77 daNm [6815 lb-in]

Option SH: Verzahnt 14 Zähne ANS B92.1-1970
Option SH: Splined 14T ANS B92.1-1970



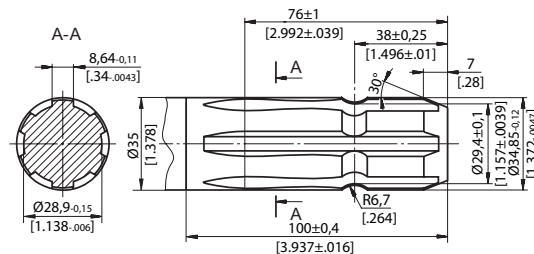
Max. Drehmomentabgabe 95 daNm [8400 lb-in]
 Max. Torque 95 daNm [8400 lb-in]

Option K: Konisch 1:10
Option K: Tapered 1:10



Max. Drehmomentabgabe 95 daNm [8400 lb-in]
 Max. Torque 95 daNm [8400 lb-in]

Option SL: Zapfwelle DIN 9611 Form 1
Option SL: P.T.O. shaft DIN 9611 Form 1

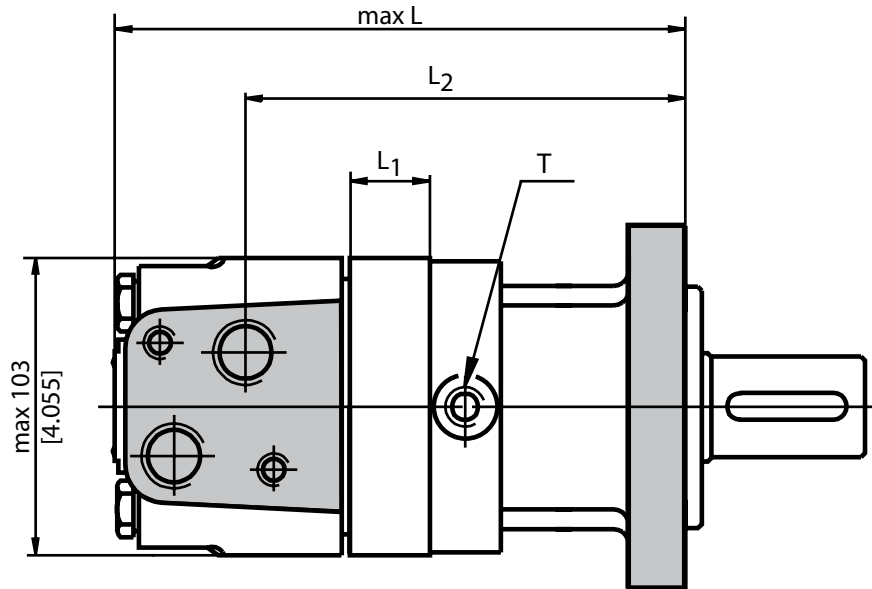


Max. Drehmomentabgabe 77 daNm [6815 lb-in]
 Max. Torque 77 daNm [6815 lb-in]



Pos. 3 Schluckvolumen *Displacement*

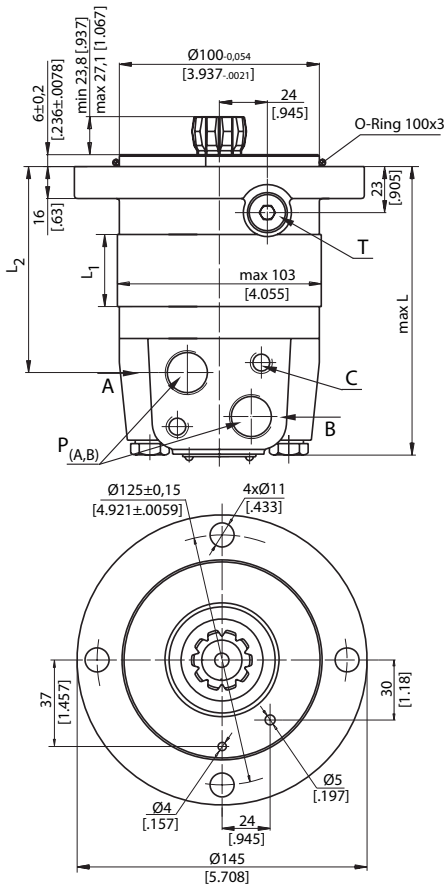
Einbaumaße EPMSY mm [in.]
Dimensions EPMSY mm [in.]



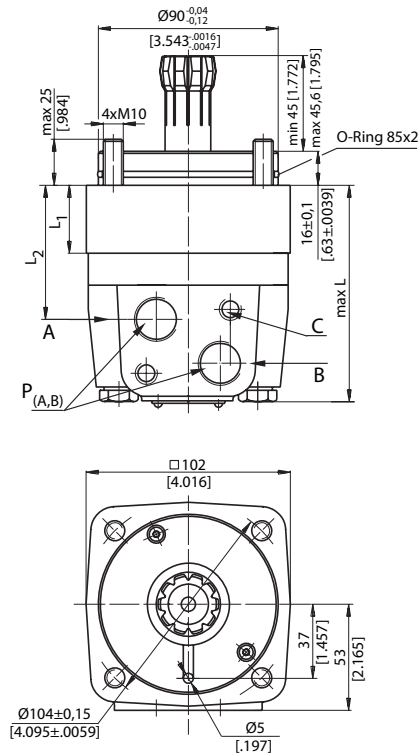
Typ Type	L mm [in]	L ₂ mm [in]	Typ Type	L mm [in]	L ₂ mm [in]	Typ Type	L mm [in]	L ₂ mm [in]	L ₁ mm [in]
EPMSY (F) (A) 200	189,0 [7.44]	145,0 [5.71]	EPMSY-W 200	150,0 [5.91]	108,0 [4.25]	EPMSY-Q 200	200,0 [7.87]	157,0 [6.18]	34,8 [1.37]
EPMSY (F) (A) 250	197,0 [7.76]	154,0 [6.06]	EPMSY-W 250	159,0 [6.26]	117,0 [4.61]	EPMSY-Q 250	209,0 [8.23]	166,0 [6.54]	43,5 [1.71]
EPMSY (F) (A) 315	209,0 [8.23]	165,0 [6.50]	EPMSY-W 315	170,0 [6.69]	128,0 [5.04]	EPMSY-Q 315	220,0 [8.66]	177,0 [6.67]	54,8 [2.16]
EPMSY (F) (A) 400	223,0 [8.78]	179,0 [7.05]	EPMSY-W 400	184,0 [7.24]	143,0 [5.63]	EPMSY-Q 400	235,0 [9.25]	192,0 [7.56]	69,4 [2.73]
EPMSY (F) (A) 475	237,0 [9.33]	193,0 [7.60]	EPMSY-W 475	198,0 [7.79]	156,0 [6.14]	EPMSY-Q 475	247,0 [9.72]	205,0 [8.07]	82,6 [3.25]

Für Hintenanschluss L + 6 mm [.24 in]
 For rear ports L + 6 mm [.24 in]

Einbaumaße EPMSY-S mm [in.]
Dimensions EPMSY-S mm [in.]



Einbaumaße EPMSY-V mm [in.]
Dimensions EPMSY-V mm [in.]



- C: 2xM10 - 12mm [0.47 in] tief deep
P (A,B): 2xG1/2 oder or 2xM22x1,5 - 15mm [0.59 in] tief deep
T: G1/4 oder or M14x1,5 - 12 mm [0.47 in] tief deep

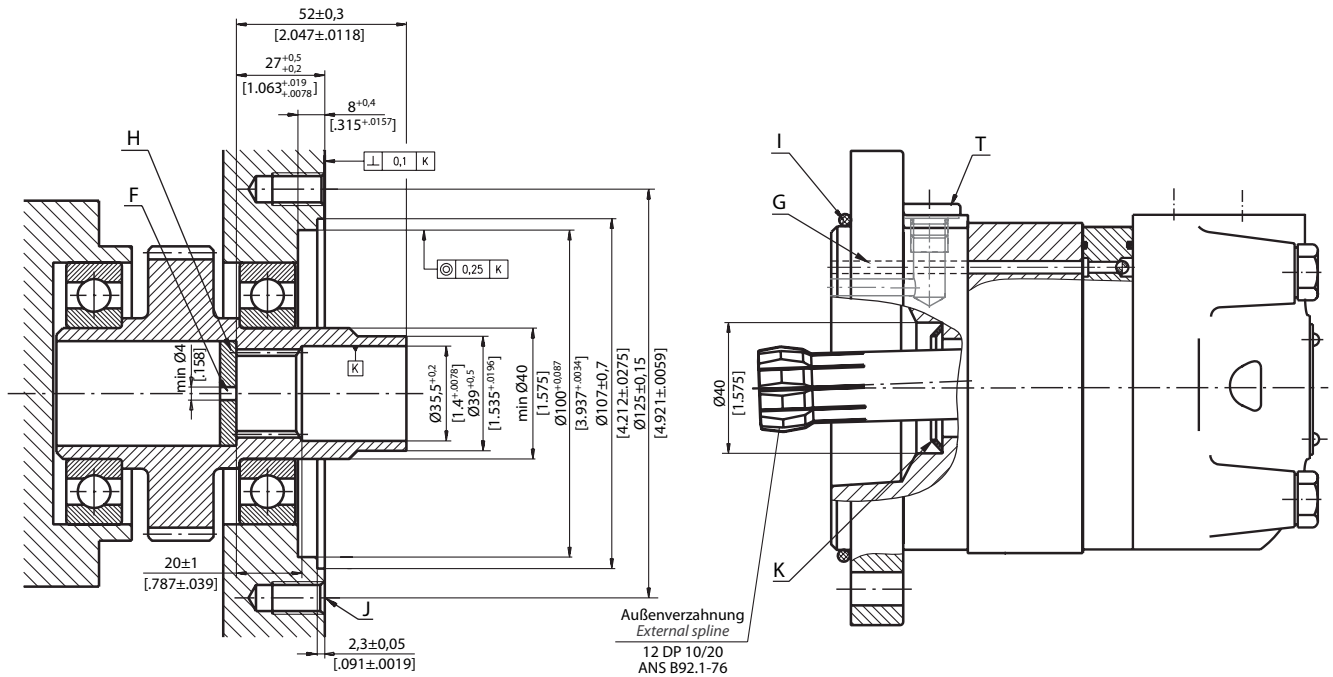


Typ Type	L* mm [in]	L ₂ mm [in]	Typ Type	L** mm [in]	L ₂ mm [in]	L ₁ mm [in]
EPMSY-S 200	146,0 [5.75]	103,0 [4.05]	EPMSY-V 200	112,0 [4.41]	68,0 [2.78]	34,8 [1.37]
EPMSY-S 250	155,0 [6.10]	112,0 [4.41]	EPMSY-V 250	120,0 [4.72]	76,5 [3.01]	43,5 [1.71]
EPMSY-S 315	166,0 [6.54]	123,0 [4.84]	EPMSY-V 315	132,0 [5.20]	88,0 [3.46]	54,8 [2.16]
EPMSY-S 400	181,0 [7.13]	138,0 [5.43]	EPMSY-V 400	146,0 [5.75]	103,0 [4.05]	69,4 [2.73]
EPMSY-S 475	194,0 [7.64]	152,0 [5.98]	EPMSY-V 475	160,0 [6.30]	116,0 [4.57]	82,6 [3.25]

* Für Hintenanschluss L + 8 mm [0.31 in]
* For rear ports L + 8 mm [0.31 in]

** Für Hintenanschluss L + 6 mm [0.24 in]
** For rear ports L + 6 mm [0.24 in]

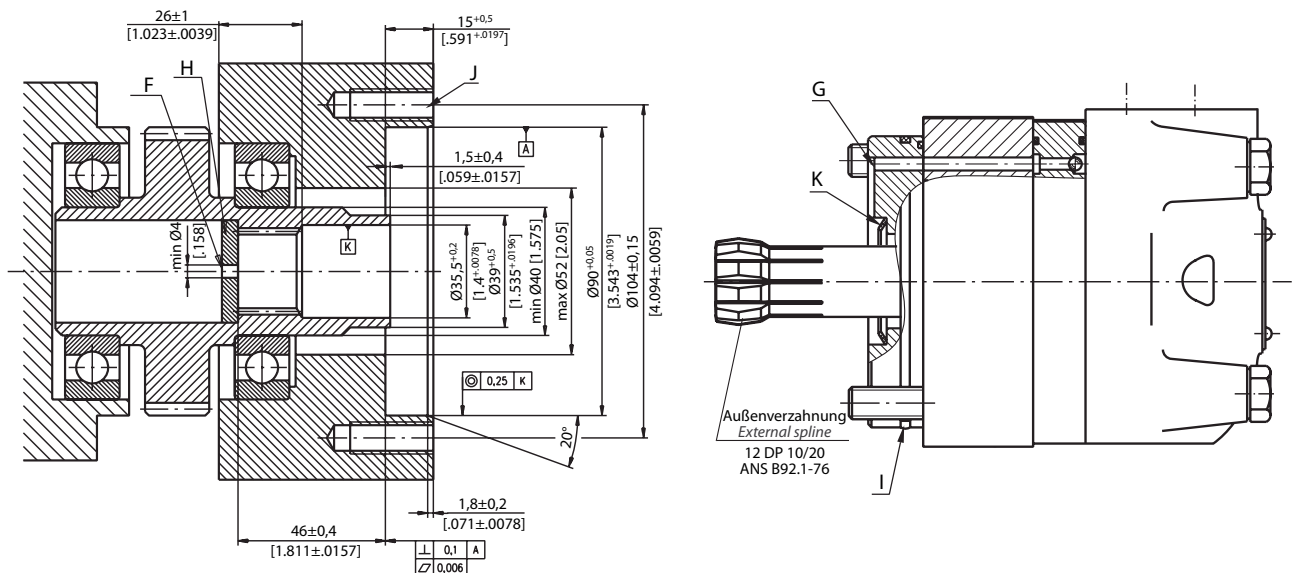
Einbaumaße EPMSY-S mm [in.]
Dimensions EPMSY-S mm [in.]



- F: Ölzirkulationsloch
Oil circulation hole
- H: Gehärtete Anschlagplatte
Hardened stop plate
- J: 4xM10 - 16 mm [63 in] tief *deep*, 90°

- G: Innerer Leckölkanal
Internal drain channel
- I: O-Ring 100x3
[3.94 x .12 in]
- K: Konischer Dichttring
Conical seal ring
- T: Leckölanschluss G1/4 oder M14x1,5
Drain connection G1/4 or M14x1,5

Einbaumaße EPMSY-V mm [in.]
Dimensions EPMSY-V mm [in.]



- F: Ölzirkulationsloch
Oil circulation hole
- H: Gehärtete Anschlagplatte
Hardened stop plate
- J: 4xM10 - 26 mm [1.024 in] tief *deep*, 90°

- G: Innerer Leckölkanal
Internal drain channel
- I: O-Ring 85x2
[3.346 x .0787 in]
- K: Konischer Dichttring
Conical seal ring

Leckölanschluss Drain connection

Lecköl sollte abgeführt werden, wenn der zulässige Druck im Rücklauf überstiegen werden kann. Die Leckölleitung wird angeschlossen:

Bei EPMSY-S am Leckölanschluss des Motors.

Bei EPMSY-V am Leckölanschluss der Anbaukomponente. Der Spitzendruck in der Leckölleitung wird durch die Wellendichtung der Anbaukomponente bestimmt.

Die Leckölleitung sollte so dimensioniert sein, dass eine freie Strömung zwischen Motor und Anbaukomponente gewährleistet wird. Die Leckölleitung sollte direkt zum Tank geleitet werden.

*A drain line ought to be used when pressure in the return line can exceed the permissible pressure. It can be connected:
For EPMSY-S: at the drain port of the motor.*

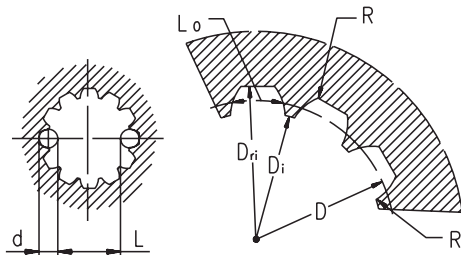
For EPMSY-V: at the drain connection of the attached component. The maximum pressure in the drain line is limited by the attached component and its shaft seal.

The drain line must be possible for oil to flow freely between motor and attached component. The drain line must be led to the tank.

Daten der Innenverzahnung der Anbaukomponente Internal spline data for the attached component

Standard ANSI B92.1-1976, class 5
[$m=2.54$; korrigiert $x.m=+0,4$]

Standard ANSI B92.1-1976, class 5
[$m=2.54$; corrected $x.m=+0,4$]



Härtenspezifikation:
HV=750±50 an der Oberfläche
HV=560 in 0,7±0,2 mm [.035±.019 in] tiefe

Material:
20 MoCr4 EN 10084 oder besser

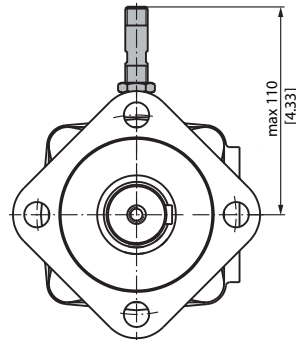
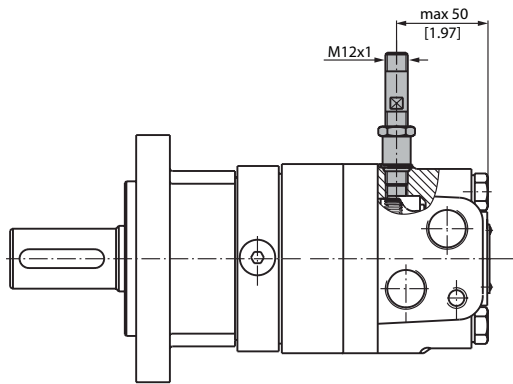
Hardening specification:
HV=750±50 on the surface
HV=560 at 0,7±0,2 mm [.035±.019 in] depth

Material:
20 MoCr4 EN 10084 or better

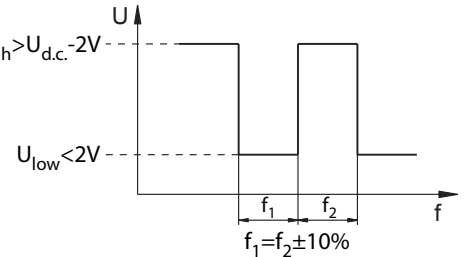
Stirnrad innenverzahnt Fillet root side fit		mm	inch
Zähnezahl Number of teeth	z	12	12
Diametral Pitch Diametral pitch	DP	10/20	10/20
Eingriffswinkel Pressure angle		30°	30°
Teilkreisdurchmesser Pitch diameter	D	30,48	1.2
Außendurchmesser Major diameter	Dri	33,2 ^{+0,2}	1.315 ÷ 1.307
Innendurchmesser Minor diameter	Di	27,8 ^{+0,1}	1.098 ÷ 1.094
Lückenweite Space width	Lo	4,45 ^{+0,071} _{+0,026}	.178 ÷ .176
Rundung Fillet radius	R	0,2	.008
Rollenmaß Max. meas. between the pins	L	23,39 ^{+0,17} _{+0,06}	.928 ÷ .923
Meßrollendurchmesser Pin dia.	d	4,835±0,001	.19039 ÷ .19031

Pos. 7 Sonderausführungen *Special features*

Option RS: Drehzahlsensor Option RS: Speed sensor



Ausgangssignal Output signal

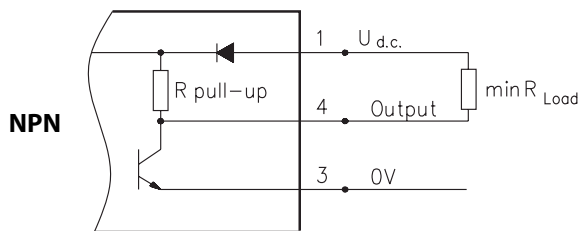
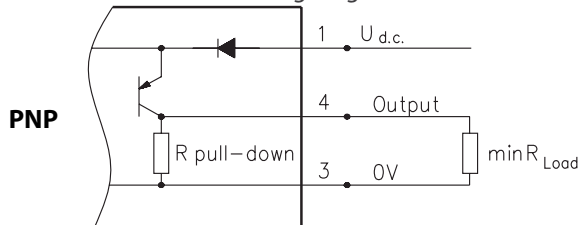


Load max: $I_{high} = I_{low} < 50\text{mA}$

Technische Daten Technical data

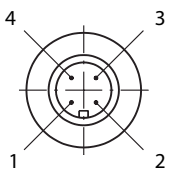
Frequenzbereich <i>Frequency range</i>	0 - 15000 Hz
Ausgang <i>Output</i>	PNP, NPN
Spannungsversorgung <i>Power supply</i>	10 - 36 VDC
Stromaufnahme <i>Current input</i>	20 mA (@24 VDC)
Umgebungstemperatur <i>Ambient temperature</i>	-40 - 125° C [-40 - 257° F]
Schutzart <i>Protection</i>	IP 67
Steckverbindung <i>Plug connector</i>	M12-Serie <i>Series</i>
Montageverfahren <i>Mounting principle</i>	ISO 6149
Impulse pro Umdrehung <i>Pulses per revolution</i>	54

Schaltplan Wiring diagram



$$R_{load}[\text{k}\Omega] = U_{d.c.}[\text{V}] / I_{max}[\text{mA}]$$

Anschluss Belegung Stick type



Anschluss Nr. <i>Terminal No.</i>	Belegung <i>Connection</i>	Ausgangsleitung <i>Cable Output</i>
1	U _{d.c.}	Braun <i>Brown</i>
2	Keine Belegung <i>No connection</i>	Weiß <i>White</i>
3	0V	Blau <i>Blue</i>
4	Ausgangssignal <i>Output signal</i>	Schwarz <i>Black</i>

Bestellcode für Drehzahlsensor Order code for speed sensor

Sensor Code	Ausgang <i>Output</i>	Elektrische Verbindung <i>Electric connection</i>
RSN	NPN	Kabelstecker M12 <i>Plug connector M12</i>
RSP	PNP	Kabelstecker M12 <i>Plug connector M12</i>
RSNL5	NPN	Anschlusskabel 3x0,25; 5m [196 in] lang <i>Cable output 3x0.25; 5m [196 in] long</i>
RSPL5	PNP	Anschlusskabel 3x0,25; 5m [196 in] lang <i>Cable output 3x0.25; 5m [196 in] long</i>

Der Drehzahlsensor wird nicht montiert geliefert. Der Sensor befindet sich in einer Plastiktüte in der Umverpackung des Motors. Für eine Installation beachten Sie bitte die beiliegende Montageanleitung.

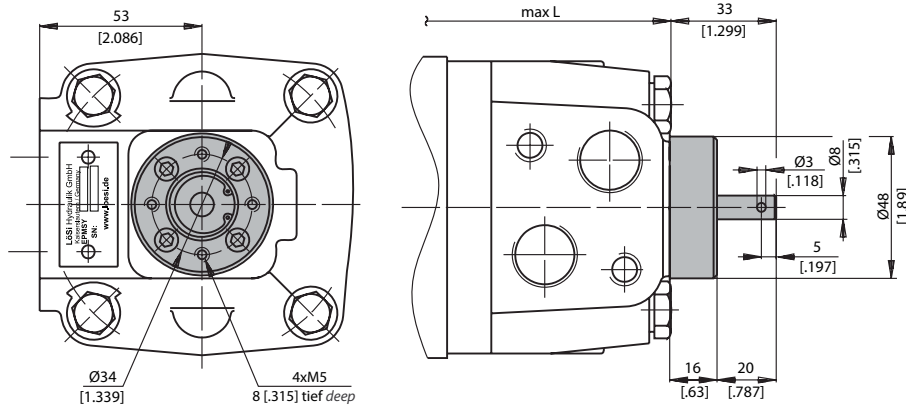
The speed sensor will be delivered not fitted, but is supplied in a plastic bag with the motor. For installation see the enclosed mounting instructions.

Option T: Tachowelle

Option T: Tacho connection

Unsere EPMSY Motoren sind mit einer Tachowelle erhältlich mit der man die Drehzahl des Motors ermitteln kann. Die Tachowelle hat eine 6-mal größere Drehzahl und die umgekehrte Drehrichtung als die Abtriebswelle des Motors.

Our EPMSY motors are available in version with tacho drive shaft. With tacho connection the speed of the motor can be registered. Tacho shaft has a 6 times higher revolution speed than output shaft and opposite direction of rotation.



Achtung: Radiale oder axiale Belastung auf die Welle muss vermieden werden. Max. Drehmoment an der Tachowelle 0,1 daNm [0.885 lb-in]. Max. Rücklaufdruck (Dauerbetrieb) ohne Leckölleitung 20 bar [290 PSI].

Attention: Radial or axial load on tacho shaft must be avoided. Max torque on shaft 0.1 daNm [0.885 lb-in]. Max. continuous return pressure without drain line 20 bar [290 PSI].

Option LL: Geringes Lecköl

Option LL: Low Leakage

Die Hydraulikmotoren der LL Reihe sind für den Einsatz im ganzen Anwendungsbereich (Druckabfall und Drehzahl) entworfen. Sie haben jedoch erheblich geringere Verluste in den Verdrängungsräumen. Diese Motoren sind geeignet für hydraulische Systeme bei denen die Motoren in Reihe geschaltet sind und geringe Leckölverluste gefordert sind.

LL series hydraulic motors are designed to operate at the whole standard range of working conditions (pressure drop and frequency of rotation), but with considerable decreased volumetric losses in the drain ports. These motors are suitable for hydraulic system with series-connected motors with demands for low leakage.

Option LSV: Ventil für geringe Drehzahlen

Option LSV: Low speed valve

Option LSV optimiert den Motor für den Betrieb bei kleinen Drehzahlen. LSV Motoren sind für den Betrieb mit standardmäßigen Höchstwerten des Druckabfalls und mit stoß freiem Betrieb bei niedrigen Drehzahlen (bis zu 200 U/min) ausgelegt. Ihre höchste Effektivität erreichen diese Motoren bei 20-50 U/min. Motoren mit diesem Ventil haben einen höheren Anlaufdruck. Der Druckabfall sollte größer als 40 bar [580 PSI] sein.

LSV option optimizes the motor for low speed performance. Motors with this valving provide very low speed while maintaining high torque. They are designed to run continuously at low speed (up to 200 RPM) at normal pressure drop and reduced flow. Optimal run is guaranteed at frequency of rotation from 20 to 50 RPM. Motors with this valving have an increased starting pressure and are not recommended for using at pressure drop less than 40 bar [580 PSI].

EPMSY-B: Motor mit Trommelbremse EPMSY-B: Motor with drum brake

Durch Betätigung des Bremshebels wird die Bremswelle gedreht. Diese Drehung bewirkt, dass die Bremsbacken gegen die Bremsstrommel gepresst werden und so das Rad oder die Windentrommel stoppen.

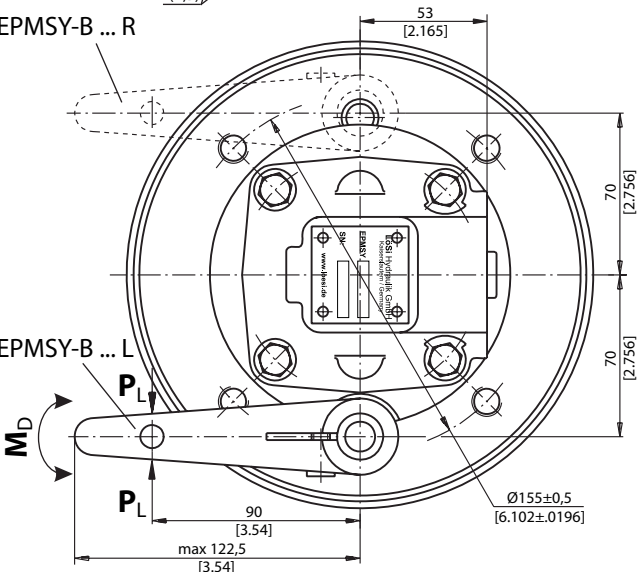
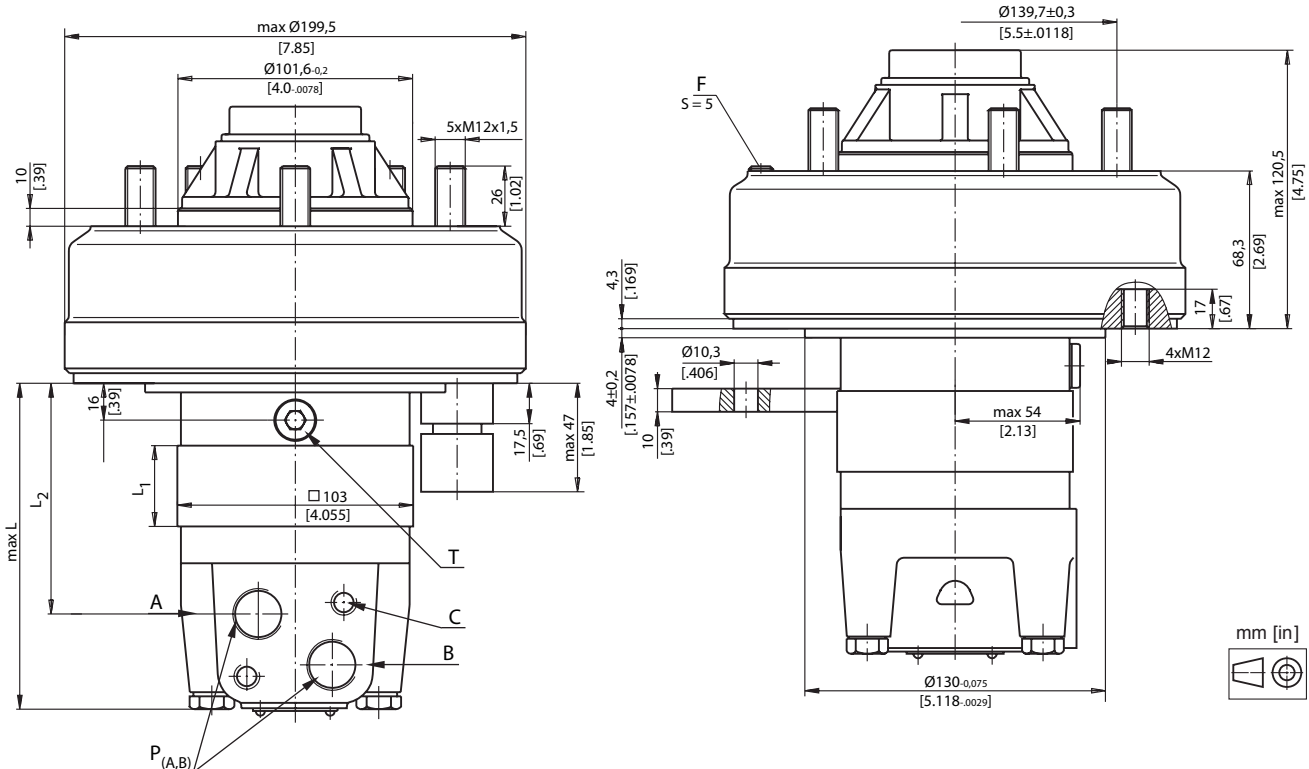
Wenn der Bremshebel freigegeben wird, ziehen die Federn die Bremsbacken und Bremshebel in die Ausgangsstellung zurück, die Bremse wird gelöst.

Die minimale Änderung beträgt 10°. Durch Demontage des Bremshebels, kann man den Winkel bestimmen. Je nach Anwendung, kann man die Betätigungsrichtung wählen. Der Weg der Kabel- oder Stangenbetätigung muss mindestens 25 mm [0.984 in] betragen um den Bremshebel von der Neutralstellung zum Anschlag zu bewegen.

Actuating the brake lever, the brake shaft is turned. The rectangular shape of the inner part of this shaft forces the brake pads to be pressed against the brake drum. This brakes the wheel or the winch drum.

Releasing the lever, the springs pull it and the brake pads back to the initial position. The motor output shaft is released.

Minimum angle adjustment is 10°. It can be adjusted by dismantling the lever. Depending on the application you can choose the actuating direction of the brake lever. The rod connection actuating the brake should be capable of moving at last 25 mm [0.984 in] from neutral to extreme position.



- C: 2xM10 - 12mm [0.47 in] tief deep
- F: Loch zur Sichtkontrolle des Bremsbelags
Inspection hole for checking brake lining
- P (A,B): 2xG1/2 oder or 2xM22x1,5 - 15mm [0.59 in] tief deep
- T: G1/4 oder or M14x1,5 - 12 mm [0.47 in] tief deep

Typ Type	L mm [in]	L ₁ mm [in]	L ₂ mm [in]
EPMSY-B 200	139,0 [5.47]	34,8 [1.37]	95,0 [3.74]
EPMSY-B 250	148,0 [5.83]	43,5 [1.71]	110,0 [4.33]
EPMSY-B 315	159,0 [6.26]	54,8 [2.16]	115,0 [4.53]
EPMSY-B 400	174,0 [6.85]	69,4 [2.73]	130,0 [5.12]
EPMSY-B 475	188,0 [7.40]	82,6 [3.25]	143,0 [5.63]

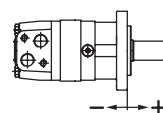
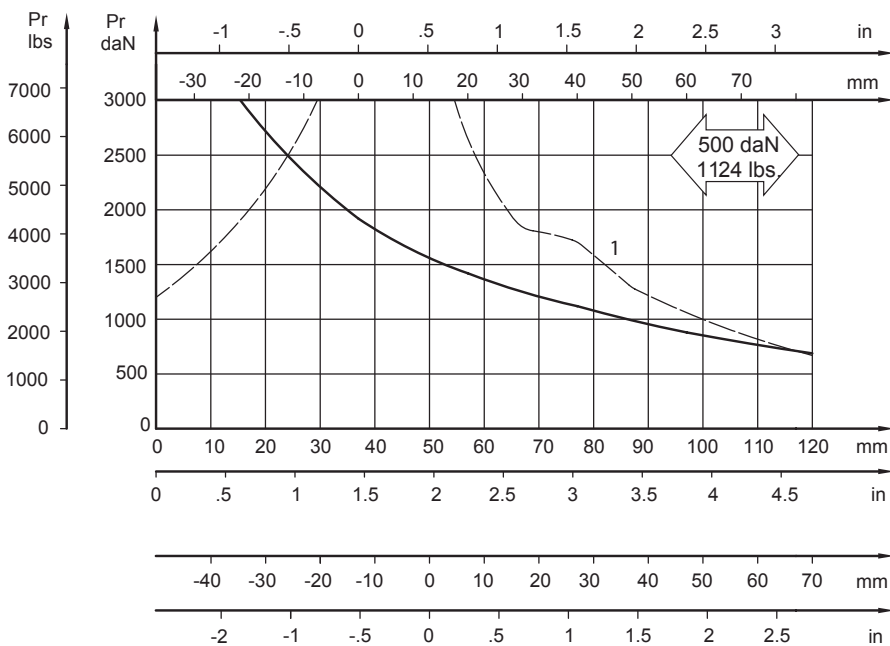
Für Hintenanschluss L + 8 mm [0.315 in]
For rear ports L + 8 mm [0.315 in]

Weitere Technische Informationen Further technical informations

Zulässige Wellenbelastung Permissible shaft load

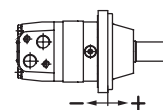
Die Abtriebswelle ist in kegeligen Rollenlagern gelagert, die hohe axiale und radiale Kräfte erlauben. Im Diagramm wird die zulässige Radiallast auf die Welle bei einer axialen Last von 0 N vom Befestigungsflansch bis zum Punkt der Belastung gezeigt. Die Kurven gelten für eine B10-Lebensdauer der Lager von 2000 Stunden bei 100 U/min. Die Kurve „1“ gibt den Grenzwert für die radiale Belastung an. Die Überschreitung dieser Grenzwerte führt bei allen Drehzahlen zu erheblicher Verkürzung der Motorlebensdauer.

The output shaft runs in tapered bearings that permit high axial and radial forces. The permissible radial load on the shaft is shown for an axial load of 0 N as function of the distance from the mounting flange to the point of load application. The curves apply to a B10 bearing life of 2000 hours at 100 RPM. Curve „1“ shows max. radial shaft load. Any shaft load exceeding the values quoted in the curve will seriously reduce motor life.

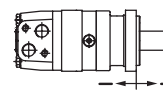


Flanschoption
Flangeoption

Standard, A, F

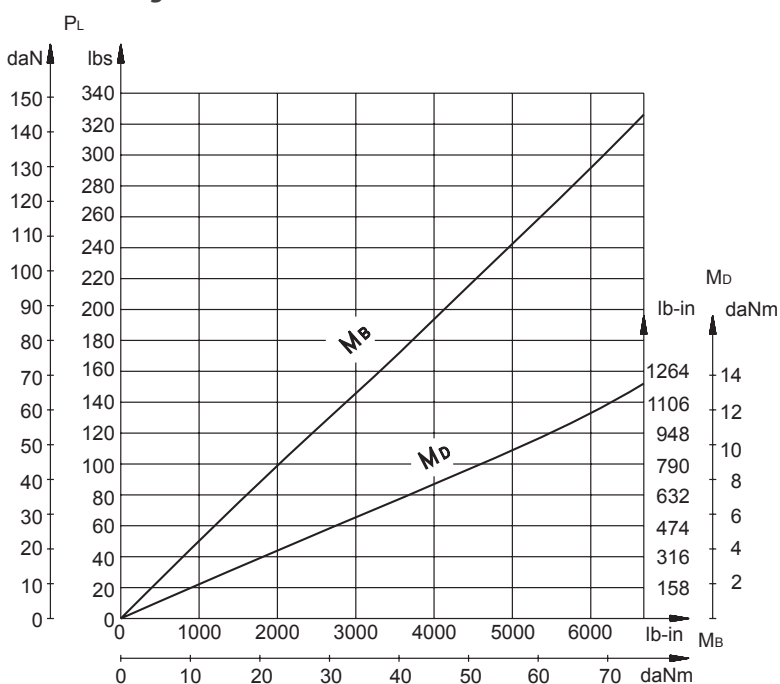


W



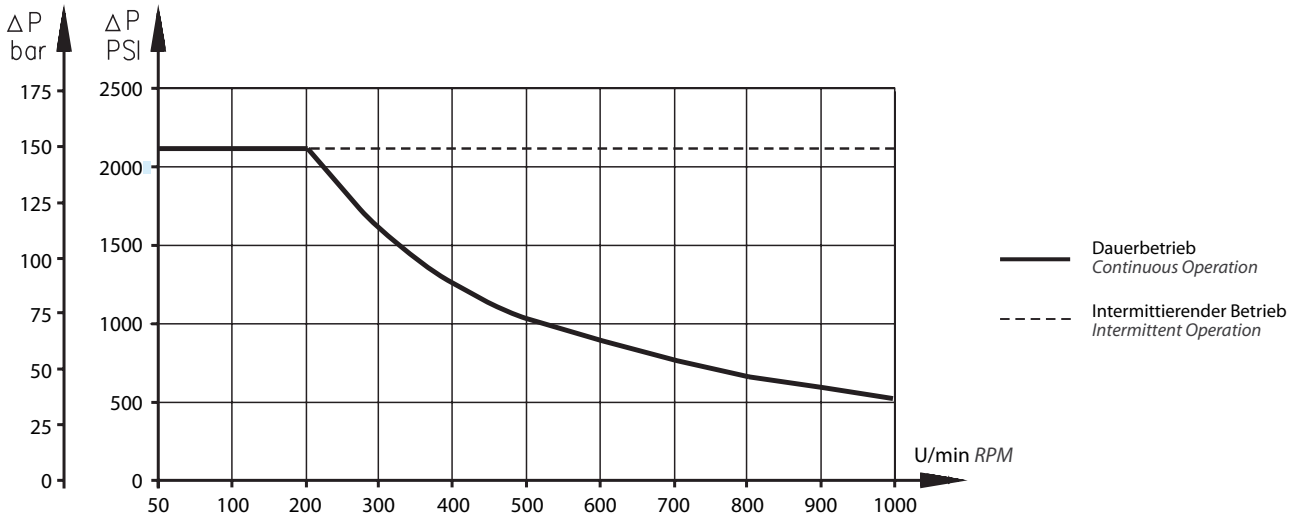
Q

Funktionsdiagramm EPMSY-B Function diagram EPMSY-B



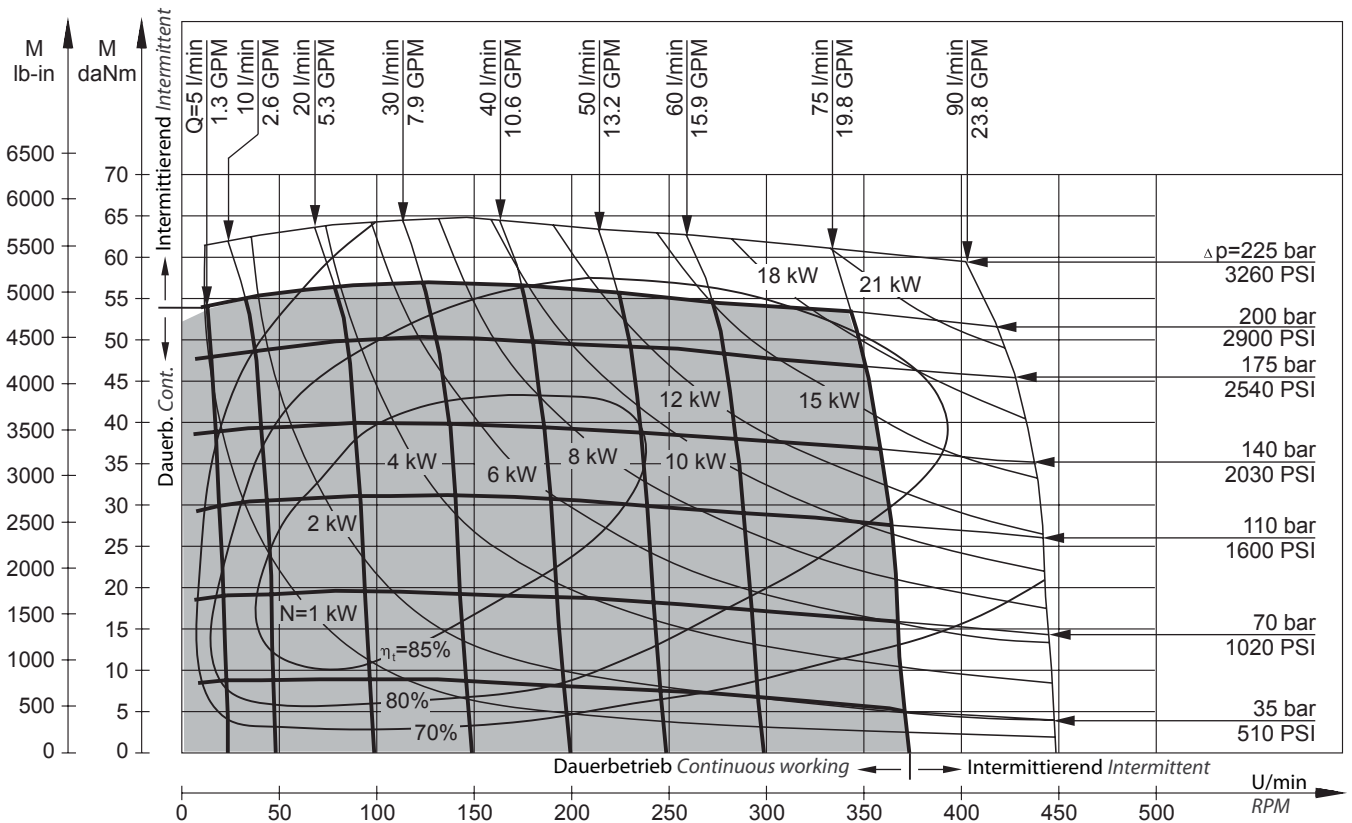
- PL Belastungskraft
Brake Lever Load
- Mb Bremsmoment
Brake torque
- MD Haltemoment
Brake Lever torque

Max. Rücklaufdruck ohne Leckölleitung oder max. Druck in der Leckölleitung
Max. return pressure without drain line or max. pressure in the drain line



Leistungsdiagramme Function diagrams

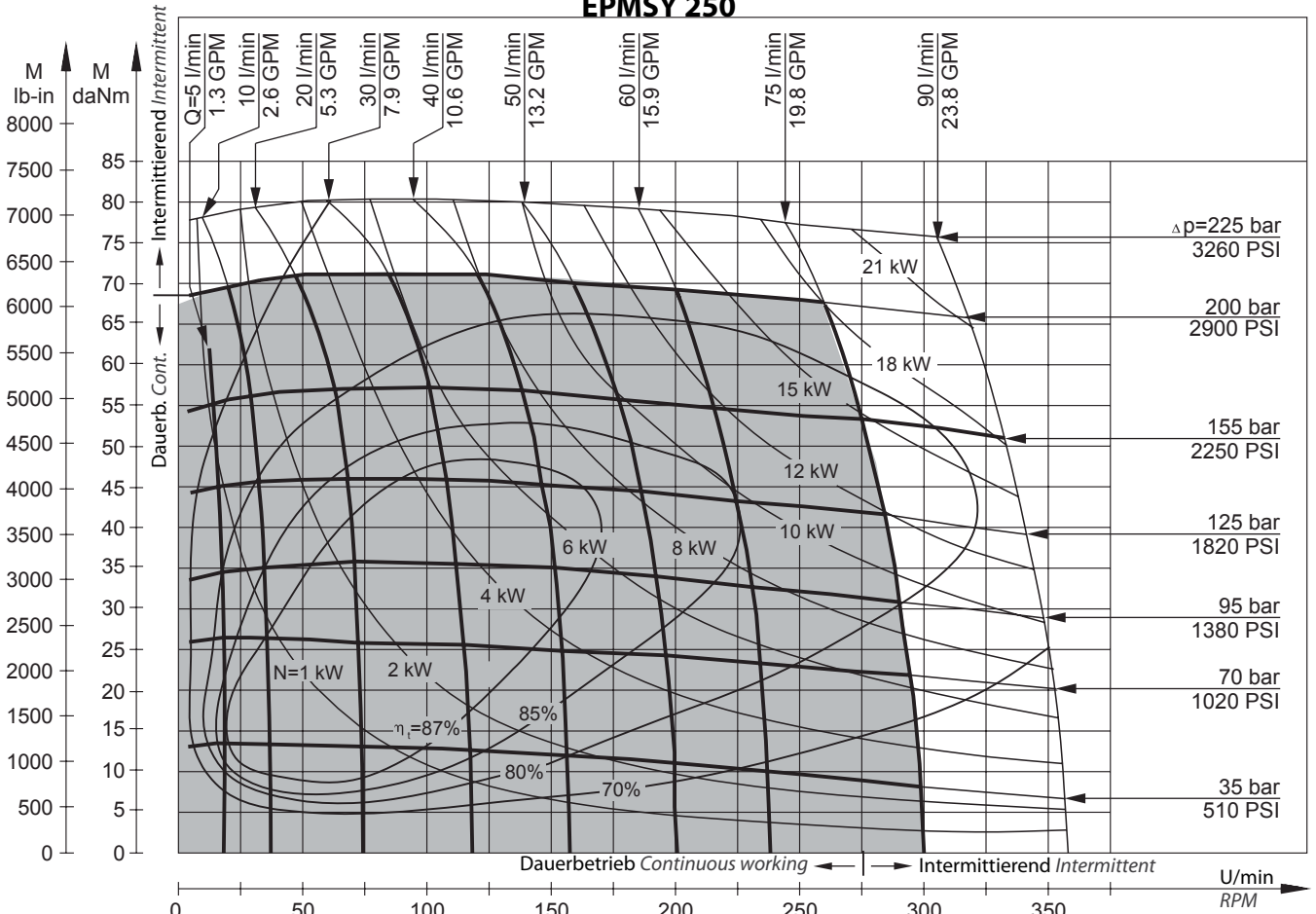
EPMSY 200



Die Leistungsdiagramme werden bei einem Rücklaufdruck von 5-10 bar [72.5-145 PSI] erreicht. Kinematische Viskosität des Hydrauliköls 32 mm²/s [150 SUS] bei 50° C [122° F]

The function diagrams data is for average performance of randomly selected motors at back pressure 5-10 bar [72.5-145 PSI] and oil viscosity of 32 mm²/s [150 SUS] at 50° C [122° F]

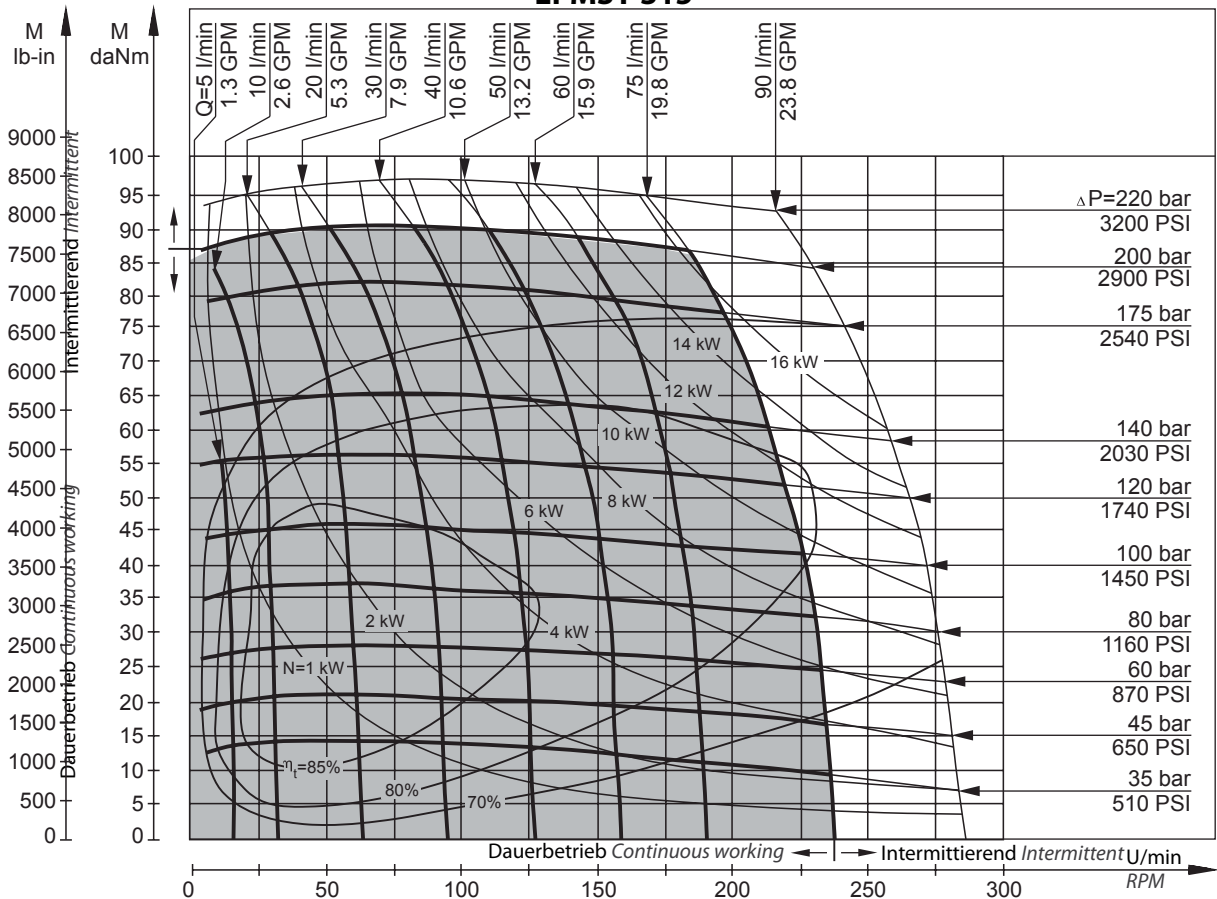
EPMSY 250



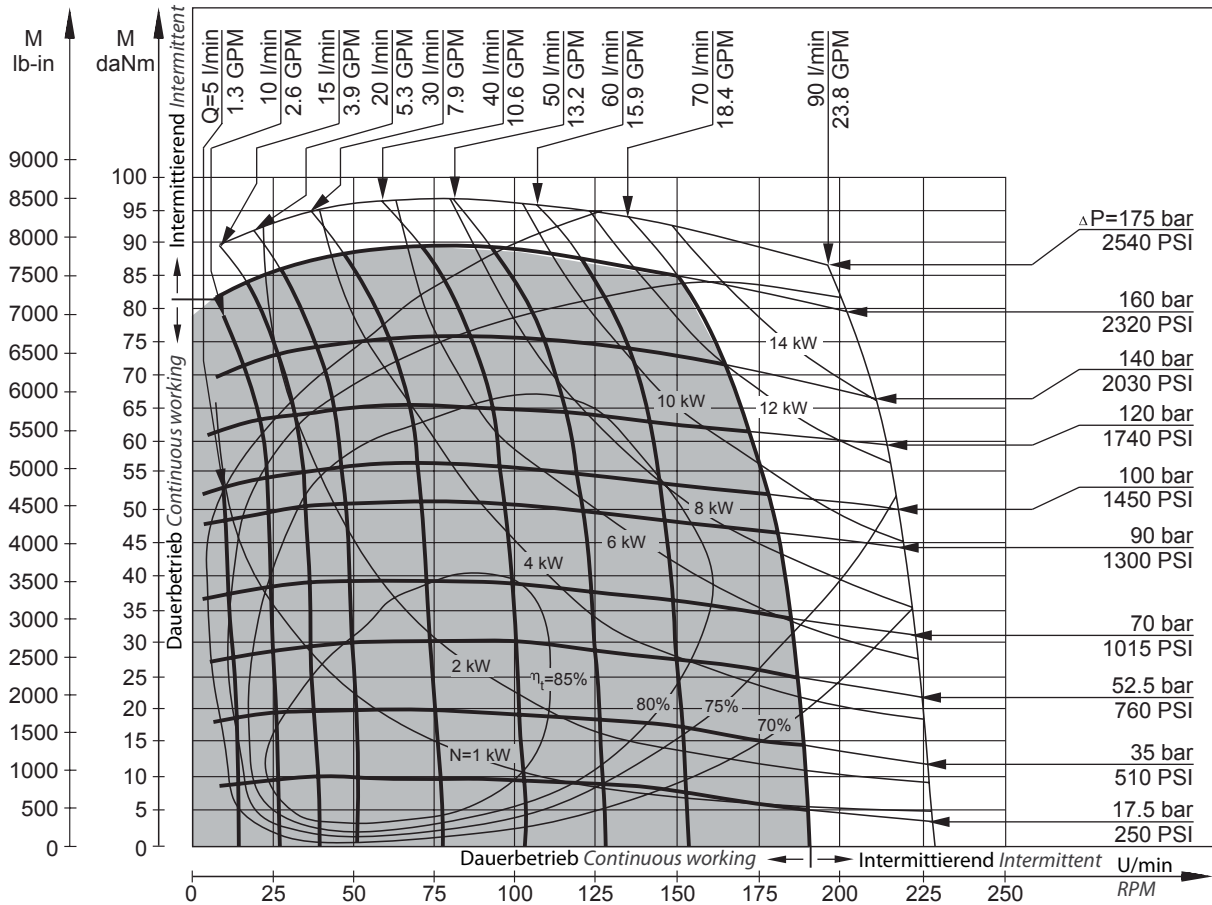
Die Leistungsdiagramme werden bei einem Rücklaufdruck von 5-10 bar [72.5-145 PSI] erreicht. Kinematische Viskosität des Hydrauliköls 32 mm²/s [150 SUS] bei 50° C [122° F]

The function diagrams data is for average performance of randomly selected motors at back pressure 5-10 bar [72.5-145 PSI] and oil viscosity of 32 mm²/s [150 SUS] at 50° C [122° F]

EPMSY 315



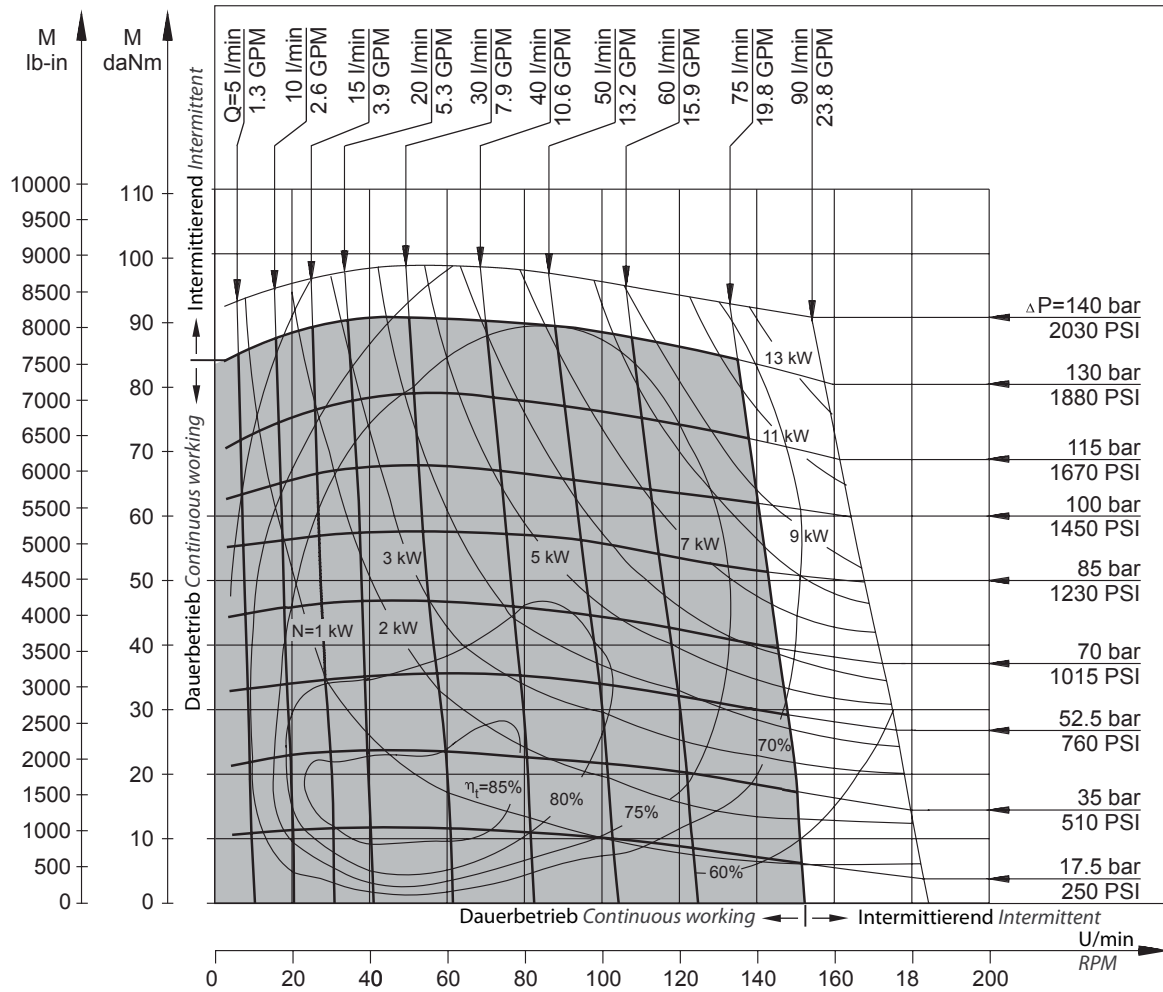
EPMSY 400



Die Leistungsdiagramme werden bei einem Rücklaufdruck von 5-10 bar [72.5-145 PSI] erreicht. Kinematische Viskosität des Hydrauliköls 32 mm²/s [150 SUS] bei 50° C [122° F]

The function diagrams data is for average performance of randomly selected motors at back pressure 5-10 bar [72.5-145 PSI] and oil viscosity of 32 mm²/s [150 SUS] at 50° C [122° F]

EPMSY 475



Die Leistungsdiagramme werden bei einem Rücklaufdruck von 5-10 bar [72.5-145 PSI] erreicht. Kinematische Viskosität des Hydrauliköls 32 mm²/s [150 SUS] bei 50° C [122° F]

The function diagrams data is for average performance of randomly selected motors at back pressure 5-10 bar [72.5-145 PSI] and oil viscosity of 32 mm²/s [150 SUS] at 50° C [122° F]

